

**C.I.P.****10,3 CSP**

TAB.

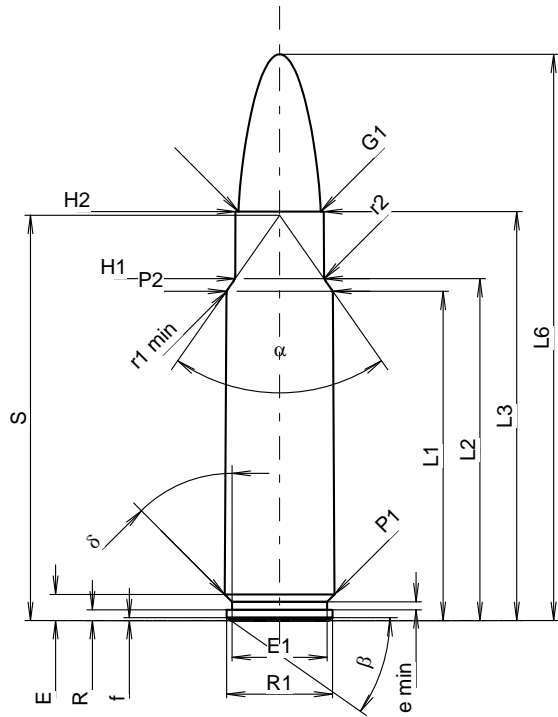
I

Date

16-05-18

Revision

Country of Origin: CH

**CARTRIDGE MAXI****Lengths**

L1 <sup>1)</sup>	=	42.27	-0.20
L2 <sup>1)</sup>	=	43.89	-0.20
L3 <sup>1)</sup>	=	52.50	
L4	=		
L5	=		
L6	=	72.70	

**Case Head**

R	=	1.37	
R1	=	13.59	
R3	=		
E	=	3.36	
E1	=	12.19	
e min	=	1.02	
delta	=	45°	
f	=	0.36	
beta	=	35°	

**Powder Chamber**

P1	=	14.12	
P2 <sup>1)</sup> *	=	13.67	-0.20

**Junction Cone**

alpha *	=	70°	
S *	=	52.03	
r1 min	=	1.27	
r2	=	1.27	

**Collar**

H1 *	=	11.40	
H2 <sup>1)</sup>	=	11.34	

**Projectile**

G1 <sup>1)</sup>	=	10.54	
G2	=		
F	=		
L3+G <sup>1)</sup>	=	59.95	

**Pressures (Energies)****Method Transducer**

Pmax	=	4400 bar	
PK	=	5060 bar	
PE	=	5500 bar	
M	=	25.00	
EE	=	6200 Joule	

**Miscellaneous Dimensions**

Fe <sup>1)3)</sup>	=	0.10	
delta L	=		

**CHAMBER MINI****Lengths**

L1	=	42.30	
L2	=	43.94	
L3 <sup>1)</sup>	=	52.82	

**Breech**

R	=		
R1	=	14.19	
R2	=		
R3	=		
r	=		

**Powder Chamber**

E	=	3.35	
P1 <sup>1)</sup>	=	14.15	
P2 *	=	13.70	

**Junction Cone**

alpha <sup>1)</sup> *	=	70°	
S *	=	52.08	
r1 max	=	1.27	
r2	=	1.27	

**Collar**

H1 *	=	11.40	
H2 <sup>1)</sup>	=	11.40	

**Commencement of Rifling**

G1 <sup>1)</sup> *	=	10.62	
G <sup>1)</sup>	=	7.45	
alpha 1	=	90°	
h *	=	0.39	
s	=		
i <sup>1)</sup> *	=	1°30'	
w	=		

**Barrel**

F <sup>1)</sup> *	=	10.25	
Z <sup>1)</sup>	=	10.49	

**Grooves**

b	=	3.60	
N	=	6	
u	=	450.00	
Q	=	85.16	mm <sup>2</sup>

Scale 1.03:1

Dimensions in << mm >>  
Dimensions and Tolerances for Proof Barrels  
see Appendix CR1.

Notes: 1) Check for safety reasons  
3) Headspace on Shoulder  
\* Basic dimensions