

C.I.P.**10x100 BWA**

TAB.

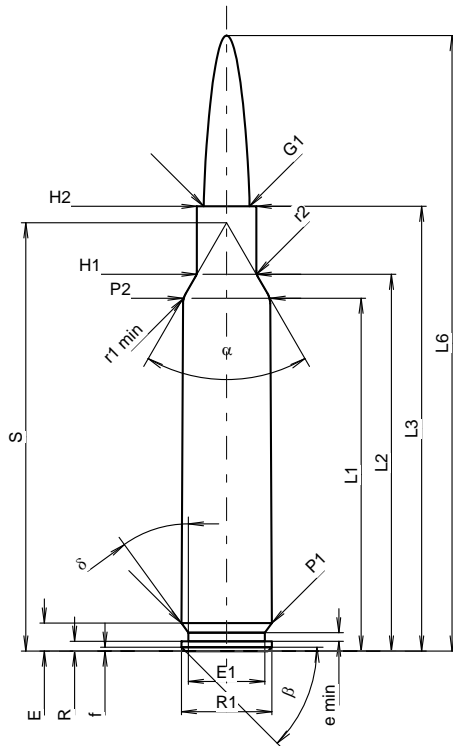
I

Date

20-11-10

Revision

Country of Origin: IT

**CARTRIDGE MAXI****Lengths**

L1 ¹⁾	=	79.35	-0.20
L2 ¹⁾	=	84.74	-0.20
L3 ¹⁾	=	100.00	
L4	=		
L5	=		
L6	=	138.40	

Case Head

R	=	2.20	
R1	=	20.35	
R3	=		
E	=	6.27	
E1	=	17.20	
e min	=	1.90	
delta	=	36°	
f	=	0.84	
beta	=	45°	

Powder Chamber

P1	=	20.35	
P2 ¹⁾ *	=	19.57	-0.20

Junction Cone

alpha *	=	60°	
S *	=	96.31	
r1 min	=	4.50	
r2	=	3.00	

Collar

H1 *	=	13.35	
H2 ¹⁾	=	13.35	

Projectile

G1 ¹⁾	=	10.32	
G2	=		
F	=		
L3+G ¹⁾	=	106.89	

Pressures (Energies)**Method Transducer**

Pmax	=	3700 bar	
PK	=	4255 bar	
PE	=	4625 bar	
M	=	25.00	
EE	=	15000 Joule	

Miscellaneous Dimensions

Fe ¹⁾³⁾	=	0.15	
delta L	=		

CHAMBER MINI**Lengths**

L1	=	79.36	
L2	=	84.75	
L3 ¹⁾	=	100.20	

Breech

R	=		
R1	=	20.45	
R2	=		
R3	=		
r	=		

Powder Chamber

E	=	6.27	
P1 ¹⁾	=	20.43	
P2 *	=	19.67	

Junction Cone

alpha ¹⁾ *	=	60°	
S *	=	96.40	
r1 max	=	4.50	
r2	=	3.00	

Collar

H1 *	=	13.45	
H2 ¹⁾	=	13.45	

Commencement of Rifling

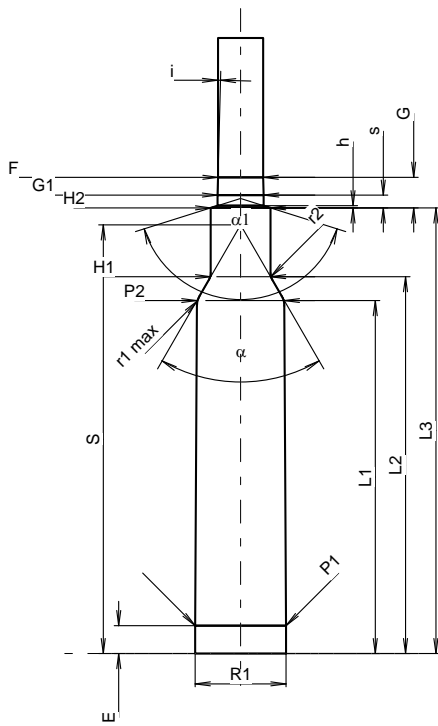
G1 ¹⁾ *	=	10.37	
G	=	6.89	
alpha l	=	145°	
h	=	0.48	
s *	=	2.88	
i ¹⁾ *	=	1°30'	
w	=		

Barrel

F ¹⁾ *	=	10.16	
Z ¹⁾	=	10.36	

Grooves

b	=	2.57	
N	=	8	
u	=	330.20	
Q	=	83.15	mm ²



Scale 1:1.7

Dimensions in << mm >>
Dimensions and Tolerances for Proof Barrels
see Appendix CR1.

Notes: 1) Check for safety reasons
3) Headspace on Shoulder
* Basic dimensions