

C.I.P.**22 Advanced Rifle Cartridge**

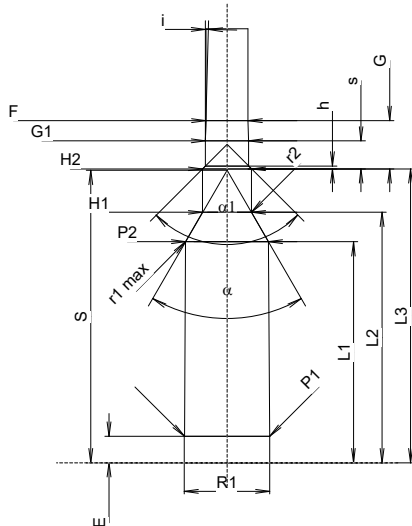
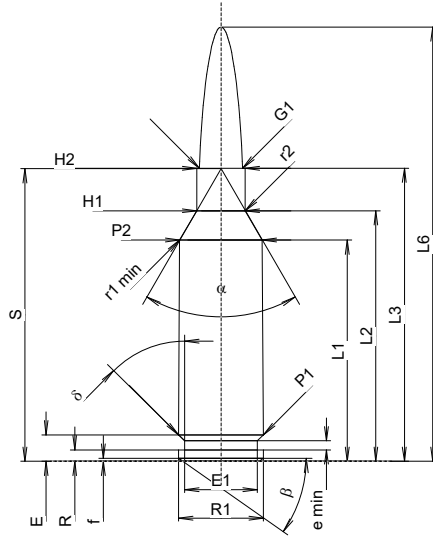
TAB. I

Datum 24-05-14

Ursprungsland: US

Revision

Alternative Namen: 22 ARC



Maßstab 1:1

Maße in << mm >>
Maße und Toleranzen für Messläufe
siehe Anhang CR 1.

PATRONE MAXI**Längen**

| | | | |
|------------------|---|-------|-------|
| L1 ¹⁾ | = | 29.24 | -0.20 |
| L2 ¹⁾ | = | 33.12 | -0.20 |
| L3 ¹⁾ | = | 38.74 | |
| L4 | = | | |
| L5 | = | | |
| L6 | = | 57.40 | |

Hülsenboden

| | | | |
|-------|---|-------|--|
| R | = | 1.50 | |
| R1 | = | 11.20 | |
| R3 | = | | |
| E | = | 3.49 | |
| E1 | = | 9.60 | |
| e min | = | 1.19 | |
| delta | = | 45° | |
| f | = | 0.38 | |
| beta | = | 35° | |

Pulverkammer

| | | | |
|--------------------|---|-------|-------|
| P1 | = | 11.22 | |
| P2 ¹⁾ * | = | 10.92 | -0.20 |

Schulterkonus

| | | | |
|---------|---|-------|--|
| alpha * | = | 60° | |
| S * | = | 38.68 | |
| r1 min | = | 0.76 | |
| r2 | = | 3.18 | |

Hülsenhals

| | | | |
|------------------|---|------|--|
| H1 * | = | 6.43 | |
| H2 ¹⁾ | = | 6.43 | |

Geschoss

| | | | |
|---------------------|---|-------|--|
| G1 ¹⁾ | = | 5.70 | |
| G2 | = | | |
| F | = | | |
| L3+G1 ¹⁾ | = | 45.12 | |

Drücke (Energien)**Mech. elektr. Wandler**

| | | | |
|------|---|------------|--|
| Pmax | = | 4050 bar | |
| PK | = | 4658 bar | |
| PE | = | 5063 bar | |
| M | = | 17.50 | |
| EE | = | 2250 Joule | |

Verschiedene Daten

| | | | |
|--------------------|---|------|--|
| Fe ¹⁾³⁾ | = | 0.10 | |
| delta L | = | | |

PATRONENLAGER MINI**Längen**

| | | | |
|------------------|---|-------|--|
| L1 | = | 29.22 | |
| L2 | = | 33.10 | |
| L3 ¹⁾ | = | 38.86 | |

Stoßboden

| | | | |
|----|---|-------|--|
| R | = | | |
| R1 | = | 11.31 | |
| R2 | = | | |
| R3 | = | | |
| r | = | | |

Pulverkammer

| | | | |
|------------------|---|-------|--|
| E | = | 3.49 | |
| P1 ¹⁾ | = | 11.26 | |
| P2 * | = | 10.94 | |

Schulterkonus

| | | | |
|-----------------------|---|-------|--|
| alpha ¹⁾ * | = | 60° | |
| S * | = | 38.67 | |
| r1 max | = | 0.76 | |
| r2 | = | 3.18 | |

Hülsenhals

| | | | |
|------------------|---|------|--|
| H1 * | = | 6.45 | |
| H2 ¹⁾ | = | 6.45 | |

Geschossübergang

| | | | |
|--------------------|---|-------|--|
| G1 ¹⁾ * | = | 5.70 | |
| G ¹⁾ | = | 6.38 | |
| alpha1 * | = | 90° | |
| h | = | 0.37 | |
| s | = | 3.71 | |
| i ¹⁾ * | = | 1°30' | |
| w | = | | |

Lauf

| | | | |
|-------------------|---|------|--|
| F ¹⁾ * | = | 5.56 | |
| Z ¹⁾ | = | 5.69 | |

Züge

| | | | |
|---|---|--------|-----------------|
| b | = | 1.88 | |
| N | = | 6 | |
| u | = | 177.80 | |
| Q | = | 25.00 | mm ² |

Bemerkungen: 1) Kontrolle aus Sicherheitsgründen
3) Verschlussabstand an Schulter
* Grundmaße