

C.I.P.**222 Rem. Mag.****TAB.****I****Date****84-06-14**

Pays d'origine: US

Révision**22-04-26****CARTOUCHE MAXI****CHAMBRE MINI****Longueurs**

| | | | |
|------------------|---|-------|-------|
| L1 ¹⁾ | = | 37.18 | -0.20 |
| L2 ¹⁾ | = | 40.29 | -0.20 |
| L3 ¹⁾ | = | 46.99 | |
| L4 | = | | |
| L5 | = | | |
| L6 | = | 57.91 | |

Longueurs

| | | |
|------------------|---|-------|
| L1 | = | 37.07 |
| L2 | = | 40.15 |
| L3 ¹⁾ | = | 47.29 |

Culot

| | | |
|----------|---|------|
| R | = | 1.14 |
| R1 | = | 9.60 |
| R3 | = | |
| E | = | 3.11 |
| E1 | = | 8.43 |
| e min | = | 0.76 |
| δ | = | 25° |
| f | = | 0.45 |
| β | = | 35° |

Cuvette

| | | |
|----|---|------|
| R | = | |
| R1 | = | 9.63 |
| R2 | = | |
| R3 | = | |
| r | = | |

Chambre à poudre

| | | |
|--------------------|---|------------|
| P1 | = | 9.56 |
| P2 ¹⁾ * | = | 9.07 -0.20 |

Chambre à poudre

| | | |
|------------------|---|------|
| E | = | 3.11 |
| P1 ¹⁾ | = | 9.59 |
| P2 * | = | 9.09 |

Cône de raccordement

| | | |
|------------|---|-------|
| α * | = | 46° |
| S * | = | 47.86 |
| r1 min | = | 0.64 |
| r2 | = | 2.54 |

Cône de raccordement

| | | |
|--------------------------|---|-------|
| α ¹⁾ * | = | 46° |
| S * | = | 47.78 |
| r1 max | = | 0.64 |
| r2 | = | 3.18 |

Collet

| | | |
|------------------|---|------|
| H1 * | = | 6.43 |
| H2 ¹⁾ | = | 6.43 |

Collet

| | | |
|------------------|---|------|
| H1 * | = | 6.48 |
| H2 ¹⁾ | = | 6.45 |

Projectile

| | | |
|--------------------|---|-------|
| G1 ¹⁾ | = | 5.70 |
| G2 | = | |
| F | = | |
| L3+G ¹⁾ | = | 49.18 |

Prise de rayures

| | | |
|--------------------|---|----------|
| G1 ¹⁾ * | = | 5.69 |
| G ¹⁾ | = | 2.19 |
| α 1 | = | 90° |
| h | = | 0.38 |
| s * | = | 1.02 |
| i ¹⁾ * | = | 3°10'36" |
| w | = | |

Pressions (Énergies)**Méthode transducteur**

| | | |
|------|---|------------|
| Pmax | = | 4050 bar |
| PK | = | 4658 bar |
| PE | = | 5060 bar |
| M | = | 25.00 |
| EE | = | 1820 Joule |

Canon

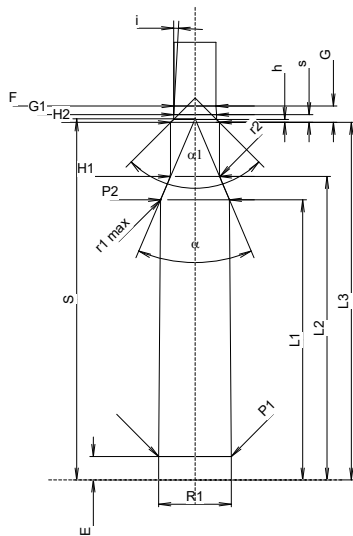
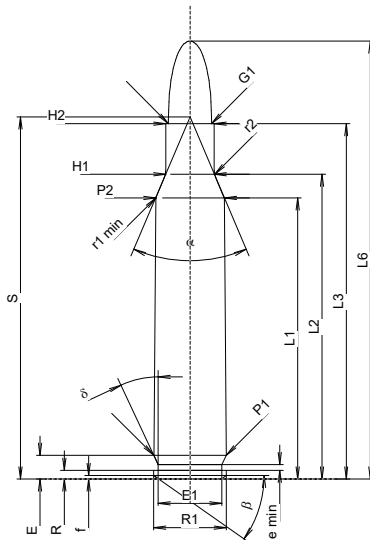
| | | |
|-------------------|---|------|
| F ¹⁾ * | = | 5.56 |
| Z ¹⁾ | = | 5.69 |

Rayures

| | | |
|---|---|-----------------------|
| b | = | 2.03 |
| N | = | 6 |
| u | = | 356.00 |
| Q | = | 25.09 mm ² |

Autres indications

| | | |
|------------------|---|------|
| Fe ¹⁾ | = | 0.10 |
| delta L | = | 0.09 |



Échelle 1:1

Dimensions en << mm >>
Dimensions et tolérances pour les canons
d'épreuve: Voyez Annexe CR 1.

Notes: 1) A' contrôler pour la sécurité
* Dimensions de base