

C.I.P.**224 Valkyrie**

Country of Origin: US

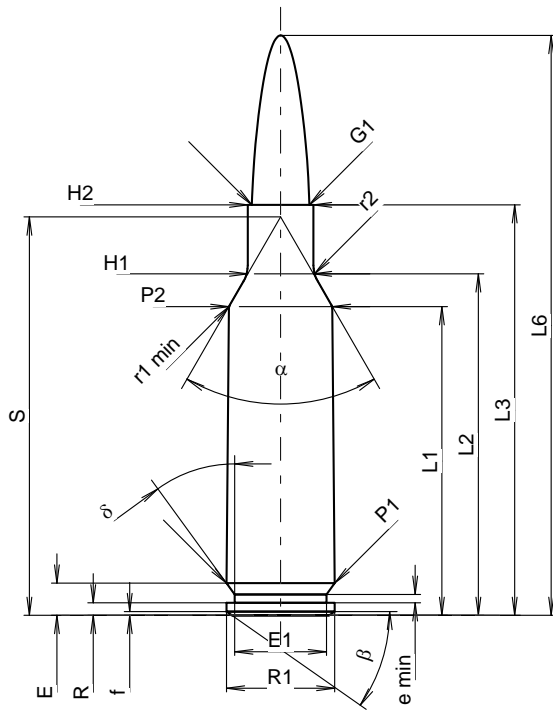
TAB.

I

Date

19-05-22

Revision

**CARTRIDGE MAXI****Lengths**

L1 ¹⁾	=	30.56	-0.20
L2 ¹⁾	=	33.80	-0.20
L3 ¹⁾	=	40.64	
L4	=		
L5	=		
L6	=	57.40	

Case Head

R	=	1.24	
R1	=	10.72	
R3	=		
E	=	3.20	
E1	=	9.09	
e min	=	0.84	
delta	=	36°	
f	=	0.38	
beta	=	35°	

Powder Chamber

P1	=	10.72	
P2 ¹⁾ *	=	10.24	-0.20

Junction Cone

alpha *	=	60°	
S *	=	39.43	
r1 min	=	0.76	
r2	=	3.18	

Collar

H1 *	=	6.50	
H2 ¹⁾	=	6.50	

Projectile

G1 ¹⁾	=	5.70	
G2	=		
F	=		
L3+G ¹⁾	=	45.20	

Pressures (Energies)**Method Transducer**

Pmax	=	4050 bar	
PK	=	4658 bar	
PE	=	5063 bar	
M	=	25.00	
EE	=	1900 Joule	

Miscellaneous Dimensions

Fe ¹⁾³⁾	=	0.10	
delta L	=	0.08	

CHAMBER MINI**Lengths**

L1	=	30.45	
L2	=	33.68	
L3 ¹⁾	=	40.89	

Breech

R	=		
R1	=	10.81	
R2	=		
R3	=		
r	=		

Powder Chamber

E	=	5.08	
P1 ¹⁾	=	10.72	
P2 *	=	10.28	

Junction Cone

alpha ¹⁾ *	=	60°	
S *	=	39.35	
r1 max	=	0.64	
r2	=	3.18	

Collar

H1 *	=	6.55	
H2 ¹⁾	=	6.55	

Commencement of Rifling

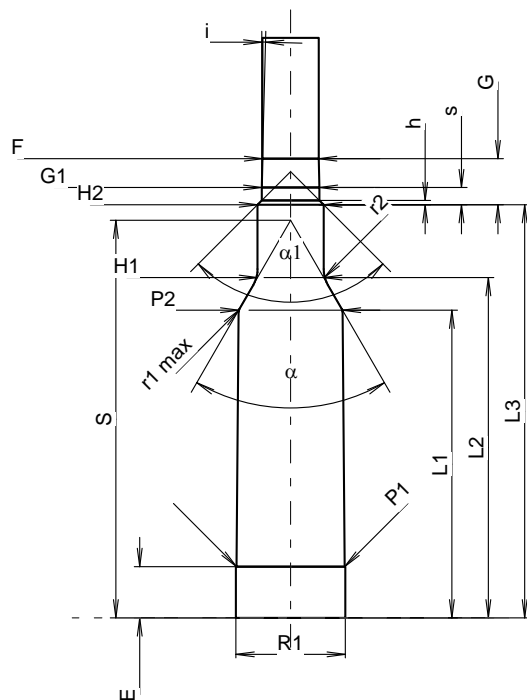
G1 ¹⁾ *	=	5.71	
G ¹⁾	=	4.56	
alpha 1	=	90°	
h	=	0.42	
s *	=	1.70	
i ¹⁾ *	=	1°30'	
w	=		

Barrel

F ¹⁾ *	=	5.56	
Z ¹⁾	=	5.69	

Grooves

b	=	1.88	
N	=	6	
u	=	177.80	
Q	=	25.03	mm ²



Scale 1.34:1

Dimensions in << mm >>
Dimensions and Tolerances for Proof Barrels
see Appendix CR1.

Notes: 1) Check for safety reasons
3) Headspace on Shoulder
* Basic dimensions