

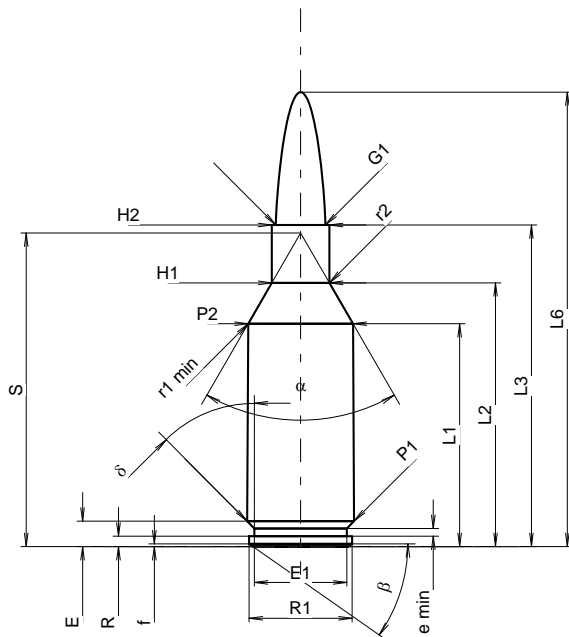
C.I.P.**25 Win. Super Short Mag.**

TAB. I

Date 06-05-16

Révision 11-05-25

Pays d'origine: US

**CARTOUCHE MAXI****Longueurs**

L1 ¹⁾	=	29.40	-0.20
L2 ¹⁾	=	34.79	-0.20
L3 ¹⁾	=	42.42	
L4	=		
L5	=		
L6	=	59.94	

Culot

R	=	1.37	
R1	=	13.59	
R3	=		
E	=	3.36	
E1	=	12.19	
e min	=	1.02	
delta	=	45°	
f	=	0.35	
beta	=	35°	

Chambre à poudre

P1	=	14.12	
P2 ¹⁾ *	=	13.83	-0.20

Cône de raccordement

alpha *	=	60°	
S *	=	41.36	
r1 min	=	1.27	
r2	=	3.30	

Collet

H1 *	=	7.60	
H2 ¹⁾	=	7.60	

Projectile

G1 ¹⁾ *	=	6.54	
G2	=		
F	=		
L3+G ¹⁾	=	51.76	

Pressions (Énergies)**Méthode transducteur**

Pmax	=	4400 bar	
PK	=	5060 bar	
PE	=	5500 bar	
M	=	17.50	
EE	=	3500 Joule	

Autres indications

Fe ¹⁾³⁾	=	0.10	
delta L	=	0.08	

CHAMBRE MINI**Longueurs**

L1	=	29.29	
L2	=	34.67	
L3 ¹⁾	=	42.68	

Cuvette

R	=		
R1	=	14.19	
R2	=		
R3	=		
r	=		

Chambre à poudre

E	=	3.36	
P1 ¹⁾	=	14.15	
P2 *	=	13.86	

Cône de raccordement

alpha ¹⁾ *	=	60°	
S *	=	41.30	
r1 max	=	1.27	
r2	=	3.81	

Collet

H1 *	=	7.65	
H2 ¹⁾	=	7.62	

Prise de rayures

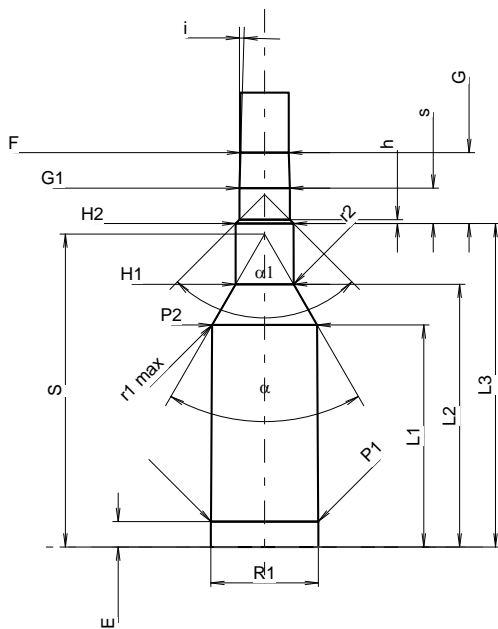
G1 ¹⁾ *	=	6.63	
G	=	9.34	
alpha l	=	90°	
h	=	0.50	
s *	=	4.67	
i ¹⁾	=	1°43'	
w	=		

Canon

F ¹⁾ *	=	6.35	
Z ¹⁾	=	6.53	

Rayures

b	=	2.44	
N	=	6	
u	=	254.00	
Q	=	33.02	mm ²



Échelle 1.0:1

Dimensions en << mm >>
Dimensions et tolérances pour les canons
d'épreuve: Voyez Annexe CR 1.

Notes: 1) A' contrôler pour la sécurité
3) Feuillure sur la cone de raccordement
* Dimensions de base