

C.I.P.**284 Shehane**

TAB.

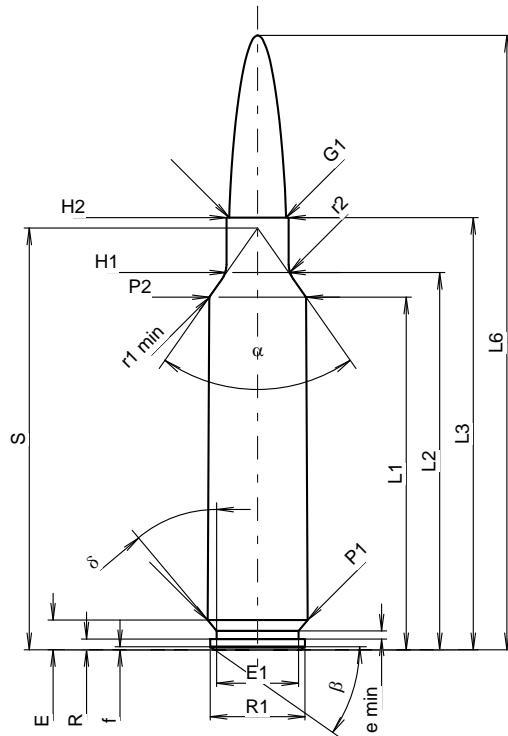
I

Date

20-11-10

Country of Origin: US

Revision

**CARTRIDGE MAXI****Lengths**

L1 ¹⁾	=	44.77	-0.20
L2 ¹⁾	=	47.90	-0.20
L3 ¹⁾	=	54.87	
L4	=		
L5	=		
L6	=	78.00	

Case Head

R	=	1.37	
R1	=	12.01	
R3	=		
E	=	3.76	
E1	=	10.39	
e min	=	1.02	
delta	=	40°	
f	=	0.38	
beta	=	35°	

Powder Chamber

P1	=	12.69	
P2 ¹⁾ *	=	12.29	-0.20

Junction Cone

alpha *	=	70°	
S *	=	53.54	
r1 min	=	0.76	
r2	=	3.18	

Collar

H1 *	=	7.90	
H2 ¹⁾	=	7.90	

Projectile

G1 ¹⁾	=	7.21	
G2	=		
F	=		
L3+G ¹⁾	=	64.39	

Pressures (Energies)**Method Transducer**

Pmax	=	4400 bar	
PK	=	5060 bar	
PE	=	5500 bar	
M	=	25.00	
EE	=	4300 Joule	

Miscellaneous Dimensions

Fe ¹⁾³⁾	=	0.10	
delta L	=		

CHAMBER MINI**Lengths**

L1	=	44.78	
L2	=	47.90	
L3 ¹⁾	=	54.99	

Breech

R	=		
R1	=	12.77	
R2	=		
R3	=		
r	=		

Powder Chamber

E	=	3.76	
P1 ¹⁾	=	12.73	
P2 *	=	12.32	

Junction Cone

alpha ¹⁾ *	=	70°	
S *	=	53.58	
r1 max	=	0.76	
r2	=	3.18	

Collar

H1 *	=	7.95	
H2 ¹⁾	=	7.95	

Commencement of Rifling

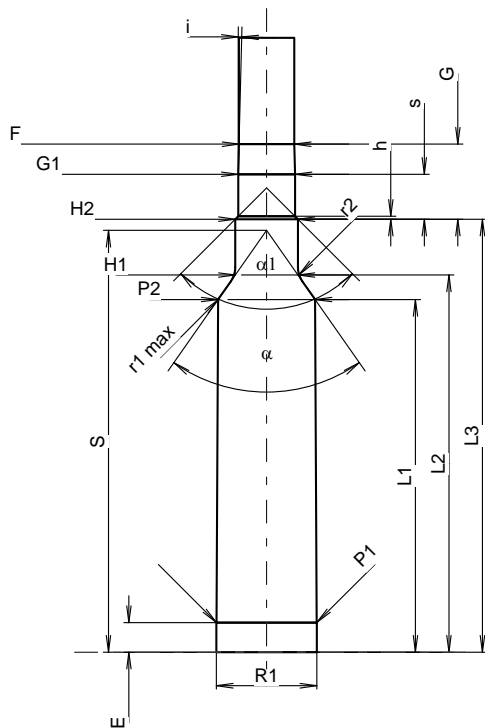
G1 ¹⁾ *	=	7.23	
G ¹⁾	=	9.52	
alpha ¹⁾ *	=	90°	
h	=	0.36	
s	=	5.70	
i ¹⁾ *	=	1°30'	
w	=		

Barrel

F ¹⁾ *	=	7.03	
Z ¹⁾	=	7.21	

Grooves

b	=	2.79	
N	=	4	
u	=	228.00	
Q	=	39.85	mm ²



Scale 1.04:1

Dimensions in << mm >>
Dimensions and Tolerances for Proof Barrels
see Appendix CR1.

Notes: 1) Check for safety reasons
3) Headspace on Shoulder
* Basic dimensions