

C.I.P.**284 Win.**

TAB.

I

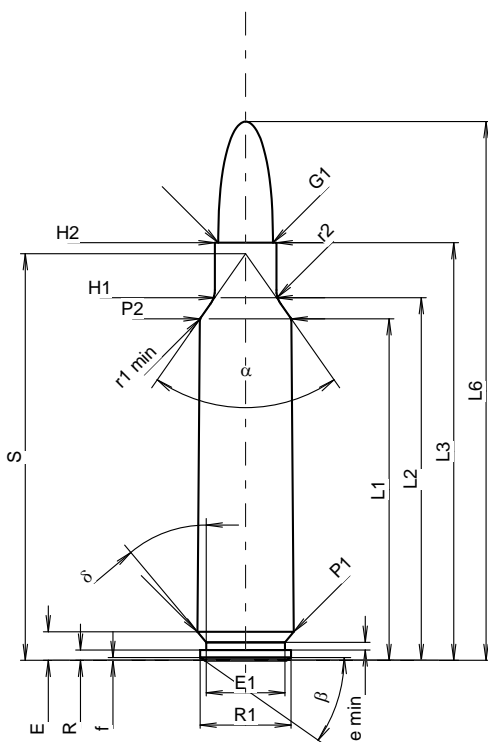
Date

84-06-14

Révision

05-05-25

Pays d'origine: US

**CARTOUCHE MAXI****Longueurs**

L1 ¹⁾	=	45.08	-0.20
L2 ¹⁾	=	47.88	-0.20
L3 ¹⁾	=	55.12	
L4	=		
L5	=		
L6	=	71.12	

Culot

R	=	1.37	
R1	=	12.01	
R3	=		
E	=	3.78	
E1	=	10.39	
e min	=	1.02	
delta	=	40°	
f	=	0.38	
beta	=	35°	

Chambre à poudre

P1	=	12.72	
P2 ¹⁾ *	=	12.06	-0.20

Cône de raccordement

alpha *	=	70°	
S *	=	53.69	
r1 min	=	0.76	
r2	=	3.18	

Collet

H1 *	=	8.13	
H2 ¹⁾	=	8.13	

Projectile

G1 ¹⁾	=	7.21	
G2	=		
F	=		
L3+G ¹⁾	=	68.90	

Pressions (Énergies)**Méthode transducteur**

Pmax	=	4400 bar	
PK	=	5060 bar	
PE	=	5500 bar	
M	=	25.00	
EE	=	3625 Joule	

Autres indications

Fe ¹⁾	=	0.10	
delta L	=	0.10	

CHAMBRE MINI**Longueurs**

L1	=	44.96	
L2	=	47.73	
L3 ¹⁾	=	55.37	

Cuvette

R	=		
R1	=	12.81	
R2	=		
R3	=		
r	=		

Chambre à poudre

E	=	3.78	
P1 ¹⁾	=	12.75	
P2 *	=	12.09	

Cône de raccordement

alpha ¹⁾ *	=	70°	
S *	=	53.59	
r1 max	=	0.76	
r2	=	3.18	

Collet

H1 *	=	8.20	
H2 ¹⁾	=	8.18	

Prise de rayures

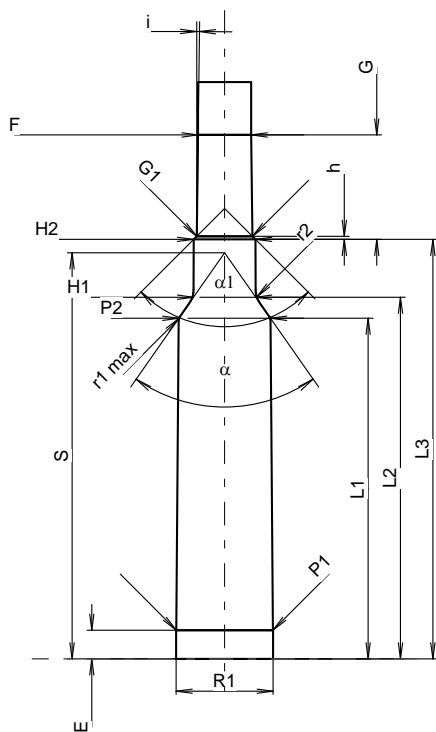
G1 ¹⁾ *	=	7.37	
G ¹⁾	=	13.78	
alpha1 *	=	90°	
h	=	0.41	
s	=		
i ¹⁾ *	=	0°47'33"	
w	=		

Canon

F ¹⁾ *	=	7.00	
Z ¹⁾	=	7.19	

Rayures

b	=	2.79	
N	=	6	
u	=	254.00	
Q	=	40.12	mm ²



Échelle 1.0:1

Dimensions en << mm >>
Dimensions et tolérances pour les canons
d'épreuve: Voyez Annexe CR 1.

Notes: 1) A' contrôler pour la sécurité
* Dimensions de base