

C.I.P.

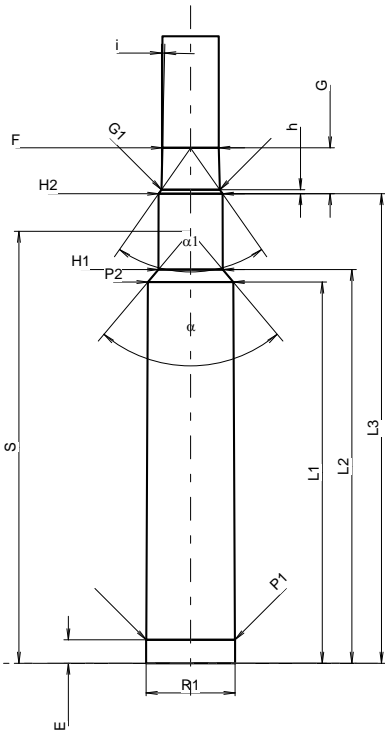
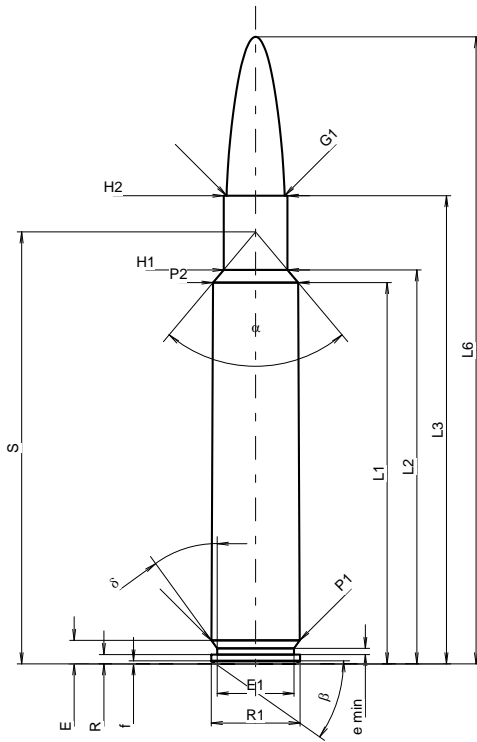
30-06 Ackley Improved

Country of Origin: US

TAB. I

Date 14-05-20

Revision



Scale 1:1.02

Dimensions in << mm >>
Dimensions and Tolerances for Proof Barrels
see Appendix CR1.

CARTRIDGE MAXI

Lengths

L1 ¹⁾	=	51.58	-0.20
L2 ¹⁾	=	53.30	-0.20
L3 ¹⁾	=	63.35	
L4	=		
L5	=		
L6	=	84.84	

Case Head

R	=	1.24	
R1	=	12.01	
R3	=		
E	=	3.16	
E1	=	10.39	
e min	=	0.84	
delta	=	36°	
f	=	0.38	
beta	=	35°	

Powder Chamber

P1	=	11.96	
P2 ¹⁾ *	=	11.52	-0.20

Junction Cone

alpha *	=	80°	
S *	=	58.44	
r1 min	=		
r2	=		

Collar

H1 *	=	8.63	
H2 ¹⁾	=	8.63	

Projectile

G1 ¹⁾ *	=	7.85	
G2	=		
F	=		
L3+G ¹⁾	=	69.55	

Pressures (Energies)

Method Transducer

Pmax	=	4300 bar	
PK	=	4945 bar	
PE	=	5375 bar	
M	=	25.00	
EE	=	4400 Joule	

Miscellaneous Dimensions

Fe ¹⁾³⁾	=	0.10	
delta L	=		

CHAMBER MINI

Lengths

L1	=	51.58	
L2	=	53.28	
L3 ¹⁾	=	63.55	

Breech

R	=		
R1	=	12.04	
R2	=		
R3	=		
r	=		

Powder Chamber

E	=	3.16	
P1 ¹⁾	=	11.99	
P2 *	=	11.55	

Junction Cone

alpha ¹⁾ *	=	80°	
S *	=	58.46	
r1 max	=		
r2	=		

Collar

H1 *	=	8.70	
H2 ¹⁾	=	8.65	

Commencement of Rifling

G1 ¹⁾ *	=	7.89	
G ¹⁾	=	6.20	
alpha1	=	70°	
h *	=	0.54	
s	=		
i ¹⁾ *	=	1°22'	
w	=		

Barrel

F ¹⁾ *	=	7.62	
Z ¹⁾	=	7.82	

Grooves

b	=	4.49	
N	=	4	
u	=	254.00	
Q	=	47.52	mm ²

Notes: 1) Check for safety reasons
3) Headspace on Shoulder
* Basic dimensions