

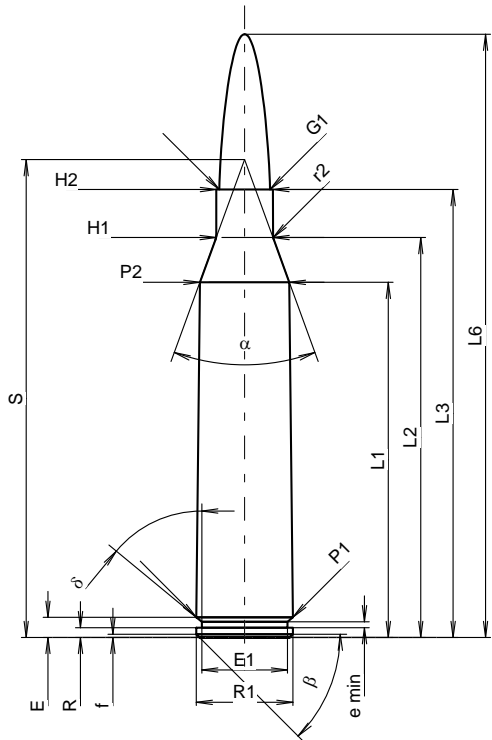
C.I.P.**30-338 Prechtl Mag.**

TAB. I

Date 17-05-17

Country of Origin: DE

Revision

**CARTRIDGE MAXI****Lengths**

L1 ¹⁾	=	54.86	-0.20
L2 ¹⁾	=	61.78	-0.20
L3 ¹⁾	=	69.20	
L4	=		
L5	=		
L6	=	93.20	

Case Head

R	=	1.52	
R1	=	14.93	
R3	=		
E	=	3.11	
E1	=	13.24	
e min	=	0.90	
delta	=	50°18'	
f	=	0.50	
beta	=	45°	

Powder Chamber

P1	=	14.91	
P2 ¹⁾ *	=	13.82	-0.20

Junction Cone

alpha *	=	40°	
S *	=	73.84	
r1 min	=		
r2	=	2.00	

Collar

H1 *	=	8.78	
H2 ¹⁾	=	8.73	

Projectile

G1 ¹⁾	=	7.85	
G2	=		
F	=		
L3+G ¹⁾	=	76.97	

Pressures (Energies)**Method Transducer**

Pmax	=	4200 bar	
PK	=	4830 bar	
PE	=	5250 bar	
M	=	25.00	
EE	=	5200 Joule	

Miscellaneous Dimensions

Fe ¹⁾³⁾	=	0.10	
delta L	=	0.02	

CHAMBER MINI**Lengths**

L1	=	54.80	
L2	=	61.70	
L3 ¹⁾	=	69.45	

Breech

R	=		
R1	=	15.03	
R2	=		
R3	=		
r	=		

Powder Chamber

E	=	3.12	
P1 ¹⁾	=	14.96	
P2 *	=	13.85	

Junction Cone

alpha ¹⁾ *	=	39°58'46"	
S *	=	73.84	
r1 max	=		
r2	=	3.00	

Collar

H1 *	=	8.83	
H2 ¹⁾	=	8.77	

Commencement of Rifling

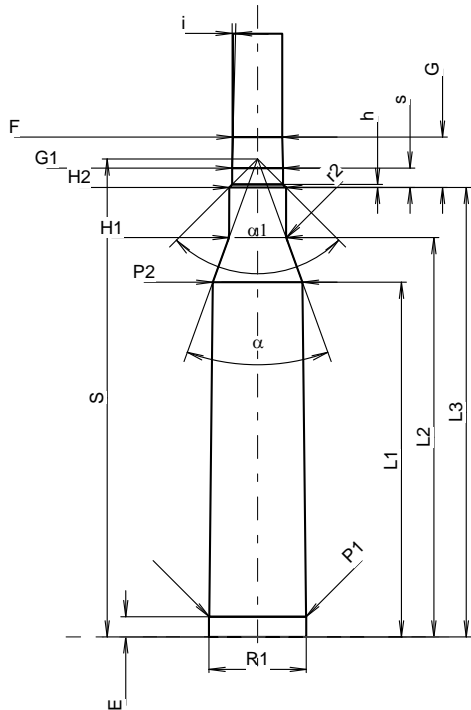
G1 ¹⁾ *	=	7.87	
G ¹⁾	=	7.77	
alpha l	=	90°	
h	=	0.45	
s *	=	3.00	
i ¹⁾ *	=	1°30'	
w	=		

Barrel

F ¹⁾ *	=	7.62	
Z ¹⁾	=	7.82	

Grooves

b	=	4.47	
N	=	4	
u	=	254.00	
Q	=	47.51	mm ²



Scale 1:1.17

Dimensions in << mm >>
Dimensions and Tolerances for Proof Barrels
see Appendix CR 1.

Notes: 1) Check for safety reasons
3) Headspace on Shoulder
* Basic dimensions