

C.I.P.

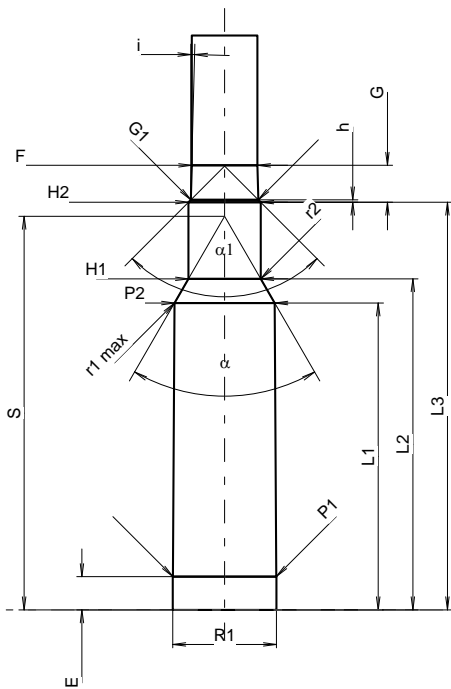
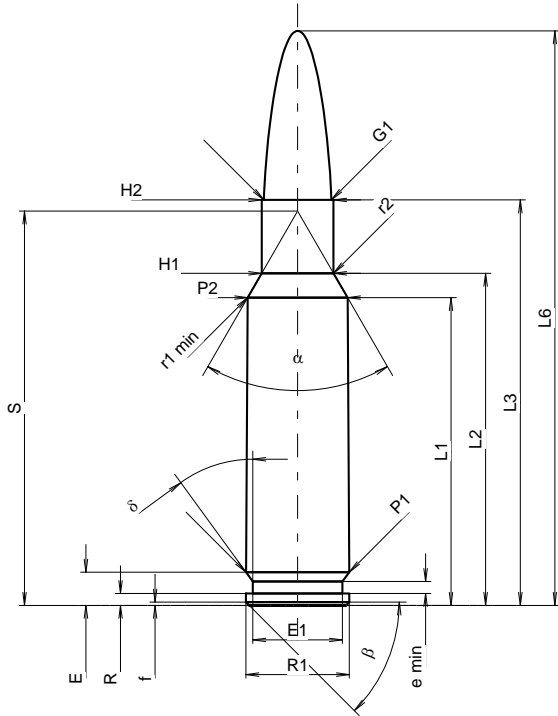
30-47 GS

Country of Origin: IT

TAB. I

Date 14-05-20

Revision



Scale 1.14:1

Dimensions in << mm >>
Dimensions and Tolerances for Proof Barrels
see Appendix CR1.

CARTRIDGE MAXI

Lengths

L1 ¹⁾	=	35.68	-0.20
L2 ¹⁾	=	38.50	-0.20
L3 ¹⁾	=	47.00	
L4	=		
L5	=		
L6	=	66.60	

Case Head

R	=	1.37	
R1	=	12.01	
R3	=		
E	=	3.84	
E1	=	10.39	
e min	=	1.40	
delta	=	36°	
f	=	0.38	
beta	=	45°	

Powder Chamber

P1	=	11.95	
P2 ¹⁾ *	=	11.59	-0.20

Junction Cone

alpha *	=	60°03'26"	
S *	=	45.71	
r1 min	=	1.00	
r2	=	1.50	

Collar

H1 *	=	8.33	
H2 ¹⁾	=	8.33	

Projectile

G1 ¹⁾	=	7.82	
G2	=		
F	=		
L3+G ¹⁾	=	51.28	

Pressures (Energies)

Method Transducer

Pmax	=	4350 bar	
PK	=	5003 bar	
PE	=	5438 bar	
M	=	25.00	
EE	=	4300 Joule	

Miscellaneous Dimensions

Fe ¹⁾³⁾	=	0.10	
delta L	=	0.08	

CHAMBER MINI

Lengths

L1	=	35.57	
L2	=	38.38	
L3 ¹⁾	=	47.26	

Breech

R	=		
R1	=	12.04	
R2	=		
R3	=		
r	=		

Powder Chamber

E	=	3.85	
P1 ¹⁾	=	11.99	
P2 *	=	11.63	

Junction Cone

alpha ¹⁾ *	=	60°04'51"	
S *	=	45.63	
r1 max	=	0.75	
r2	=	1.90	

Collar

H1 *	=	8.38	
H2 ¹⁾	=	8.38	

Commencement of Rifling

G1 ¹⁾ *	=	7.83	
G ¹⁾	=	4.28	
alpha 1	=	90°	
h *	=	0.27	
s	=		
i ¹⁾ *	=	1°30'	
w	=		

Barrel

F ¹⁾ *	=	7.62	
Z ¹⁾	=	7.82	

Grooves

b	=	2.50	
N	=	6	
u	=	355.60	
Q	=	47.13	mm ²

Notes: 1) Check for safety reasons
3) Headspace on Shoulder
* Basic dimensions