

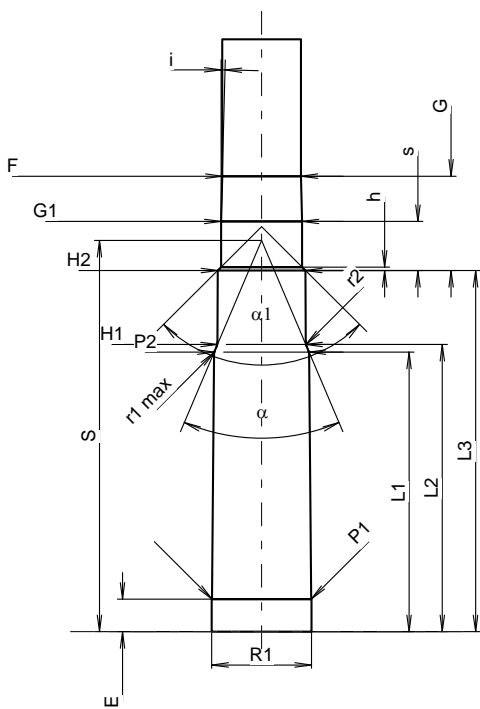
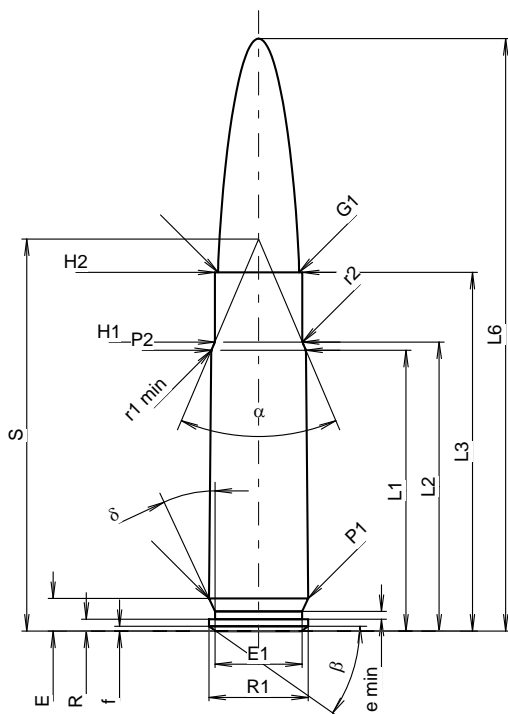
C.I.P.

300 AAC Blackout

Country of Origin: US

TAB.	I
Date	15-05-19
Revision	18-10-17

Alternative Names: 300 Whisper, 300 BLK, 7,62 x 35



Scale 1.37:1

Dimensions in << mm >>
Dimensions and Tolerances for Proof Barrels
see Appendix CR1.

CARTRIDGE MAXI

Lengths

L1 ¹⁾	=	27.20	-0.20
L2 ¹⁾	=	28.00	-0.20
L3 ¹⁾	=	34.75	
L4	=		
L5	=		
L6	=	57.40	

Case Head

R	=	1.14	
R1	=	9.60	
R3	=		
E	=	3.15	
E1	=	8.43	
e min	=	0.76	
delta	=	25°	
f	=	0.45	
beta	=	35°	

Powder Chamber

P1	=	9.60	
P2 ¹⁾ *	=	9.16	-0.20

Junction Cone

alpha [*]	=	46°	
S [*]	=	37.99	
r1 min	=	0.64	
r2	=	1.27	

Collar

H1 [*]	=	8.48	
H2 ¹⁾	=	8.48	

Projectile

G1 ¹⁾	=	7.85	
G2	=		
F	=	7.62	
L3+G ¹⁾	=	43.89	

Pressures (Energies)

Method Transducer

Pmax	=	3900 bar	
PK	=	4485 bar	
PE	=	4875 bar	
M	=	17.50	
EE	=	2000 Joule	

Miscellaneous Dimensions

Fe ¹⁾³⁾	=	0.10	
delta L	=	0.08	

CHAMBER MINI

Lengths

L1	=	27.09	
L2	=	27.83	
L3 ¹⁾	=	35.00	

Breech

R	=		
R1	=	9.66	
R2	=		
R3	=		
r	=		

Powder Chamber

E	=	3.15	
P1 ¹⁾	=	9.62	
P2 [*]	=	9.19	

Junction Cone

alpha ¹⁾ *	=	46°	
S [*]	=	37.91	
r1 max	=	0.64	
r2	=	1.27	

Collar

H1 [*]	=	8.56	
H2 ¹⁾	=	8.51	

Commencement of Rifling

G1 ¹⁾ *	=	7.85	
G ¹⁾	=	9.14	
alpha l	=	90°	
h	=	0.33	
s [*]	=	4.75	
i ¹⁾ *	=	1°30'	
w	=		

Barrel

F ¹⁾ *	=	7.62	
Z ¹⁾	=	7.82	

Grooves

b	=	4.52	
N	=	4	
u	=	203.20	
Q	=	47.54	mm ²

Notes: 1) Check for safety reasons
3) Headspace on Shoulder
* Basic dimensions