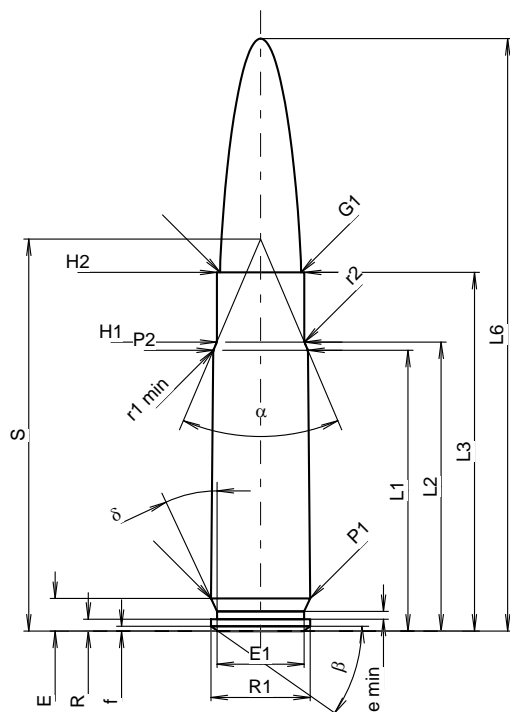


C.I.P.**300 AAC Blackout**

| | |
|----------|----------|
| TAB. | I |
| Date | 15-05-19 |
| Révision | 18-10-17 |

Pays d'origine: US

Marquage alternatif: 300 Whisper, 300 BLK, 7,62 x 35

**CARTOUCHE MAXI****Longueurs**

| | | | |
|------------------|---|-------|-------|
| L1 ¹⁾ | = | 27.20 | -0.20 |
| L2 ¹⁾ | = | 28.00 | -0.20 |
| L3 ¹⁾ | = | 34.75 | |
| L4 | = | | |
| L5 | = | | |
| L6 | = | 57.40 | |

Culot

| | | | |
|-------|---|------|--|
| R | = | 1.14 | |
| R1 | = | 9.60 | |
| R3 | = | | |
| E | = | 3.15 | |
| E1 | = | 8.43 | |
| e min | = | 0.76 | |
| delta | = | 25° | |
| f | = | 0.45 | |
| beta | = | 35° | |

Chambre à poudre

| | | | |
|--------------------|---|------|-------|
| P1 | = | 9.60 | |
| P2 ¹⁾ * | = | 9.16 | -0.20 |

Cône de raccordement

| | | | |
|---------|---|-------|--|
| alpha * | = | 46° | |
| S * | = | 37.99 | |
| r1 min | = | 0.64 | |
| r2 | = | 1.27 | |

Collet

| | | | |
|------------------|---|------|--|
| H1 * | = | 8.48 | |
| H2 ¹⁾ | = | 8.48 | |

Projectile

| | | | |
|--------------------|---|-------|--|
| G1 ¹⁾ | = | 7.85 | |
| G2 | = | | |
| F | = | 7.62 | |
| L3+G ¹⁾ | = | 43.89 | |

Pressions (Énergies)**Méthode transducteur**

| | | |
|------|---|------------|
| Pmax | = | 3900 bar |
| PK | = | 4485 bar |
| PE | = | 4875 bar |
| M | = | 17.50 |
| EE | = | 2000 Joule |

Autres indications

| | | |
|--------------------|---|------|
| Fe ¹⁾³⁾ | = | 0.10 |
| delta L | = | 0.08 |

CHAMBRE MINI**Longueurs**

| | | |
|------------------|---|-------|
| L1 | = | 27.09 |
| L2 | = | 27.83 |
| L3 ¹⁾ | = | 35.00 |

Cuvette

| | | |
|----|---|------|
| R | = | |
| R1 | = | 9.66 |
| R2 | = | |
| R3 | = | |
| r | = | |

Chambre à poudre

| | | |
|------------------|---|------|
| E | = | 3.15 |
| P1 ¹⁾ | = | 9.62 |
| P2 * | = | 9.19 |

Cône de raccordement

| | | |
|-----------------------|---|-------|
| alpha ¹⁾ * | = | 46° |
| S * | = | 37.91 |
| r1 max | = | 0.64 |
| r2 | = | 1.27 |

Collet

| | | |
|------------------|---|------|
| H1 * | = | 8.56 |
| H2 ¹⁾ | = | 8.51 |

Prise de rayures

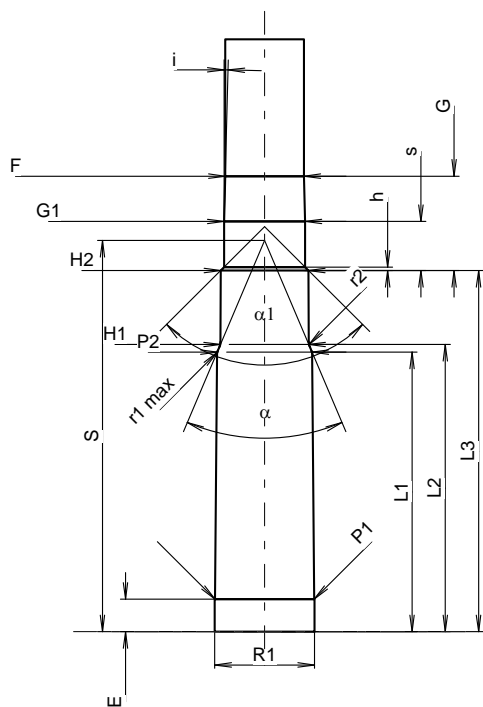
| | | |
|--------------------|---|-------|
| G1 ¹⁾ * | = | 7.85 |
| G ¹⁾ | = | 9.14 |
| alpha l | = | 90° |
| h | = | 0.33 |
| s * | = | 4.75 |
| i ¹⁾ * | = | 1°30' |
| w | = | |

Canon

| | | |
|-------------------|---|------|
| F ¹⁾ * | = | 7.62 |
| Z ¹⁾ | = | 7.82 |

Rayures

| | | |
|---|---|-----------------------|
| b | = | 4.52 |
| N | = | 4 |
| u | = | 203.20 |
| Q | = | 47.54 mm ² |



Échelle 1.37:1

Dimensions en << mm >>
Dimensions et tolérances pour les canons
d'épreuve: Voyez Annexe CR1.

Notes: 1) A' contrôler pour la sécurité
3) Feuillure sur la cone de raccordement
* Dimensions de base