

C.I.P.**318 Riml. N.E.**

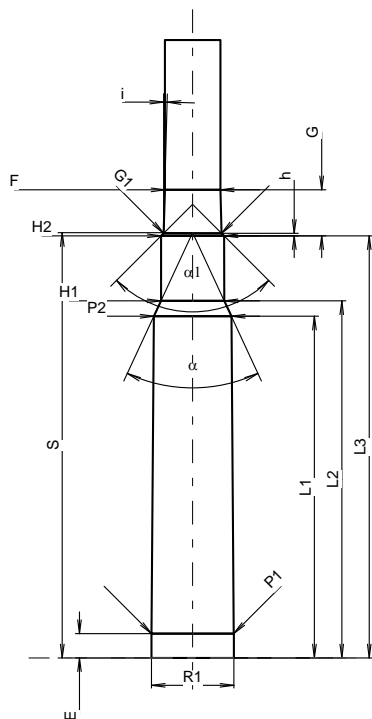
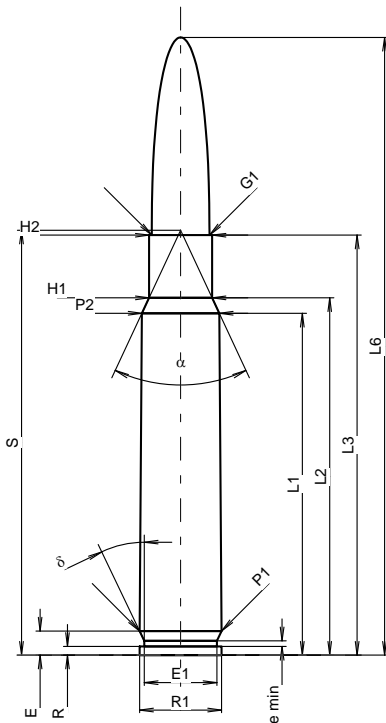
TAB. I

Datum 84-06-14

Revision 20-04-21

Ursprungsland: GB

Alternative Namen: 318 Westley Richards



Maßstab 1:1.1

Maße in << mm >>
Maße und Toleranzen für Messläufe
siehe Anhang CR 1.

PATRONE MAXI**Längen**

L1 ¹⁾ *	=	49.63	-0.20
L2 ¹⁾ *	=	51.87	-0.20
L3 ¹⁾	=	60.96	
L4	=		
L5	=		
L6	=	89.66	

Hülsenboden

R	=	1.27	
R1	=	11.89	
R3	=		
E	=	3.51	
E1	=	10.52	
e min	=	0.81	
delta	=	25°36'	
f	=		
beta	=		

Pulverkammer

P1	=	11.89	
P2 ¹⁾ *	=	11.23	-0.20

Schulterkonus

alpha	=	50°01'10"	
S	=	61.67	
r1 min	=		
r2	=		

Hülsenhals

H1 *	=	9.14	
H2 ¹⁾	=	9.12	

Geschoss

G1 ¹⁾	=	8.38	
G2	=		
F	=		
L3+G ¹⁾	=	67.63	

Drücke (Energien)**Mech. elektr. Wandler**

Pmax	=	3300 bar	
PK	=	3795 bar	
PE	=	4125 bar	
M	=	25.00	
EE	=	4550 Joule	

Verschiedene Daten

Fe ¹⁾³⁾	=	0.15	
delta L	=	0.03	

PATRONENLAGER MINI**Längen**

L1 *	=	49.58	
L2 *	=	51.82	
L3 ¹⁾	=	61.26	

Stoßboden

R	=	1.27	
R1	=	11.94	
R2	=		
R3	=		
r	=		

Pulverkammer

E	=	3.51	
P1 ¹⁾	=	11.91	
P2 *	=	11.25	

Schulterkonus

alpha ¹⁾	=	49°48'34"	
S	=	61.70	
r1 max	=		
r2	=		

Hülsenhals

H1 *	=	9.17	
H2 ¹⁾	=	9.14	

Geschossübergang

G1 ¹⁾ *	=	8.40	
G ¹⁾ *	=	6.67	
alpha1	=	90°	
h *	=	0.37	
s	=		
i ¹⁾	=	1°30'01"	
w	=		

Lauf

F ¹⁾ *	=	8.07	
Z ¹⁾	=	8.38	

Züge

b	=	2.76	
N	=	6	
u	=	304.80	
Q	=	53.77	mm ²

Bemerkungen: 1) Kontrolle aus Sicherheitsgründen
3) Verschlussabstand an Schulter
* Grundmaße