

C.I.P.**318 Riml. N.E.**

TAB.

I

Date

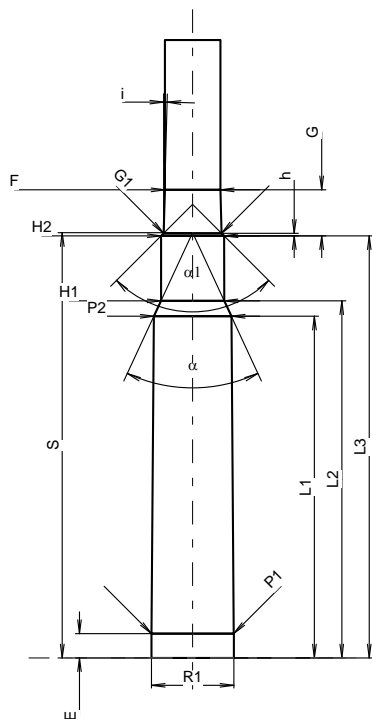
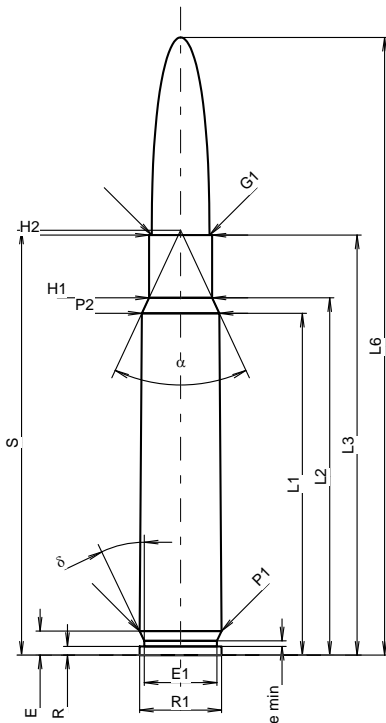
84-06-14

Révision

20-04-21

Pays d'origine: GB

Marquage alternatif: 318 Westley Richards



Échelle 1:1.1

CARTOUCHE MAXI**Longueurs**

L1 ^{1)*}	=	49.63	-0.20
L2 ^{1)*}	=	51.87	-0.20
L3 ¹⁾	=	60.96	
L4	=		
L5	=		
L6	=	89.66	

Culot

R	=	1.27	
R1	=	11.89	
R3	=		
E	=	3.51	
E1	=	10.52	
e min	=	0.81	
delta	=	25°36'	
f	=		
beta	=		

Chambre à poudre

P1	=	11.89	
P2 ^{1)*}	=	11.23	-0.20

Cône de raccordement

alpha	=	50°01'10"	
S	=	61.67	
r1 min	=		
r2	=		

Collet

H1 *	=	9.14	
H2 ¹⁾	=	9.12	

Projectile

G1 ¹⁾	=	8.38	
G2	=		
F	=		
L3+G ¹⁾	=	67.63	

Pressions (Énergies)**Méthode transducteur**

Pmax	=	3300 bar	
PK	=	3795 bar	
PE	=	4125 bar	
M	=	25.00	
EE	=	4550 Joule	

Autres indications

Fe ¹⁾³⁾	=	0.15	
delta L	=	0.03	

CHAMBRE MINI**Longueurs**

L1 *	=	49.58	
L2 *	=	51.82	
L3 ¹⁾	=	61.26	

Cuvette

R	=	1.27	
R1	=	11.94	
R2	=		
R3	=		
r	=		

Chambre à poudre

E	=	3.51	
P1 ¹⁾	=	11.91	
P2 *	=	11.25	

Cône de raccordement

alpha ¹⁾	=	49°48'34"	
S	=	61.70	
r1 max	=		
r2	=		

Collet

H1 *	=	9.17	
H2 ¹⁾	=	9.14	

Prise de rayures

G1 ^{1)*}	=	8.40	
G ^{1)*}	=	6.67	
alpha1	=	90°	
h *	=	0.37	
s	=		
i ¹⁾	=	1°30'01"	
w	=		

Canon

F ^{1)*}	=	8.07	
Z ¹⁾	=	8.38	

Rayures

b	=	2.76	
N	=	6	
u	=	304.80	
Q	=	53.77	mm ²

Dimensions en << mm >>
Dimensions et tolérances pour les canons
d'épreuve: Voyez Annexe CR 1.

Notes: 1) A' contrôler pour la sécurité
3) Feuillure sur la cone de raccordement
* Dimensions de base