

# C.I.P.

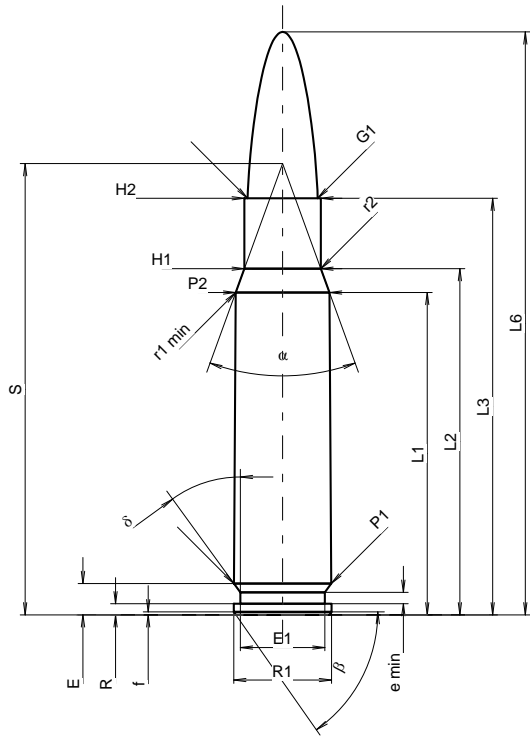
# 338 Federal

Country of Origin: US

TAB. I

Date 07-05-14

Revision 11-05-25



### CARTRIDGE MAXI

#### Lengths

L1 <sup>1)</sup>	=	39.62	-0.20
L2 <sup>1)</sup>	=	42.55	-0.20
L3 <sup>1)</sup>	=	51.18	
L4	=		
L5	=		
L6	=	71.63	

#### Case Head

R	=	1.37	
R1	=	12.01	
R3	=		
E	=	3.85	
E1	=	10.39	
e min	=	1.40	
delta	=	36°	
f	=	0.38	
beta	=	55°	

#### Powder Chamber

P1	=	11.96	
P2 <sup>1)</sup> *	=	11.53	-0.20

#### Junction Cone

alpha <sup>*</sup>	=	40°	
S <sup>*</sup>	=	55.46	
r1 min	=	0.76	
r2	=	3.18	

#### Collar

H1 <sup>*</sup>	=	9.40	
H2 <sup>1)</sup>	=	9.40	

#### Projectile

G1 <sup>1)</sup>	=	8.61	
G2	=		
F	=		
L3+G <sup>1)</sup>	=	56.95	

#### Pressures (Energies)

##### Method Transducer

Pmax	=	4150 bar	
PK	=	4773 bar	
PE	=	5188 bar	
M	=	25.00	
EE	=	4150 Joule	

#### Miscellaneous Dimensions

Fe <sup>1)3)</sup>	=	0.10	
delta L	=	0.10	

### CHAMBER MINI

#### Lengths

L1	=	39.48	
L2	=	42.38	
L3 <sup>1)</sup>	=	51.44	

#### Breech

R	=		
R1	=	12.03	
R2	=		
R3	=		
r	=		

#### Powder Chamber

E	=	3.85	
P1 <sup>1)</sup>	=	11.99	
P2 <sup>*</sup>	=	11.56	

#### Junction Cone

alpha <sup>1)</sup> *	=	40°	
S <sup>*</sup>	=	55.36	
r1 max	=	0.76	
r2	=	3.68	

#### Collar

H1 <sup>*</sup>	=	9.45	
H2 <sup>1)</sup>	=	9.42	

#### Commencement of Rifling

G1 <sup>1)</sup> *	=	8.76	
G <sup>1)</sup>	=	5.77	
alpha 1	=	90°	
h	=	0.33	
s	=		
i <sup>1)</sup> *	=	2°	
w	=		

#### Barrel

F <sup>1)</sup> *	=	8.38	
Z <sup>1)</sup>	=	8.59	

#### Grooves

b	=	2.75	
N	=	6	
u	=	254.00	
Q	=	56.92	mm <sup>2</sup>

Scale 1.08:1

Dimensions in << mm >>  
Dimensions and Tolerances for Proof Barrels  
see Appendix CR 1.

Notes: 1) Check for safety reasons  
3) Headspace on Shoule  
\* Basic dimensions