

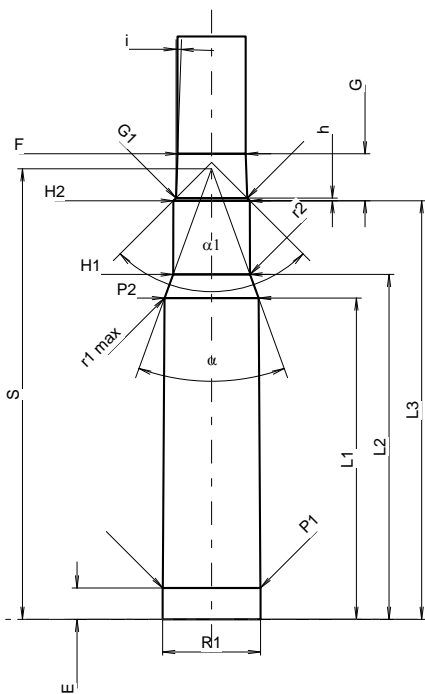
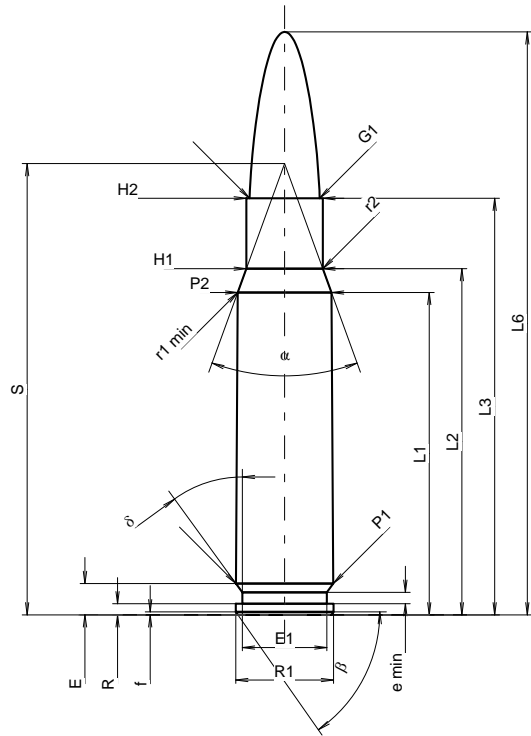
C.I.P.**338 Federal**

Ursprungsland: US

TAB. I

Datum 07-05-14

Revision 11-05-25



Maßstab 1.08:1

Maße in << mm >>
Maße und Toleranzen für Messläufe
siehe Anhang CR 1.

PATRONE MAXI**Längen**

L1 ¹⁾	=	39.62	-0.20
L2 ¹⁾	=	42.55	-0.20
L3 ¹⁾	=	51.18	
L4	=		
L5	=		
L6	=	71.63	

Hülsenboden

R	=	1.37	
R1	=	12.01	
R3	=		
E	=	3.85	
E1	=	10.39	
e min	=	1.40	
delta	=	36°	
f	=	0.38	
beta	=	55°	

Pulverkammer

P1	=	11.96	
P2 ¹⁾ *	=	11.53	-0.20

Schulterkonus

alpha [*]	=	40°	
S [*]	=	55.46	
r1 min	=	0.76	
r2	=	3.18	

Hülsenhals

H1 [*]	=	9.40	
H2 ¹⁾	=	9.40	

Geschoss

G1 ¹⁾	=	8.61	
G2	=		
F	=		
L3+G ¹⁾	=	56.95	

Drücke (Energien)**Mech. elektr. Wandler**

Pmax	=	4150 bar	
PK	=	4773 bar	
PE	=	5188 bar	
M	=	25.00	
EE	=	4150 Joule	

Verschiedene Daten

Fe ¹⁾³⁾	=	0.10	
delta L	=	0.10	

PATRONENLAGER MINI**Längen**

L1	=	39.48	
L2	=	42.38	
L3 ¹⁾	=	51.44	

Stoßboden

R	=		
R1	=	12.03	
R2	=		
R3	=		
r	=		

Pulverkammer

E	=	3.85	
P1 ¹⁾	=	11.99	
P2 [*]	=	11.56	

Schulterkonus

alpha ¹⁾ *	=	40°	
S [*]	=	55.36	
r1 max	=	0.76	
r2	=	3.68	

Hülsenhals

H1 [*]	=	9.45	
H2 ¹⁾	=	9.42	

Geschossübergang

G1 ¹⁾ *	=	8.76	
G ¹⁾	=	5.77	
alpha 1	=	90°	
h	=	0.33	
s	=		
i ¹⁾ *	=	2°	
w	=		

Lauf

F ¹⁾ *	=	8.38	
Z ¹⁾	=	8.59	

Züge

b	=	2.75	
N	=	6	
u	=	254.00	
Q	=	56.92	mm ²

Bemerkungen: 1) Kontrolle aus Sicherheitsgründen
3) Verschlussabstand an Schulter
* Grundmaße