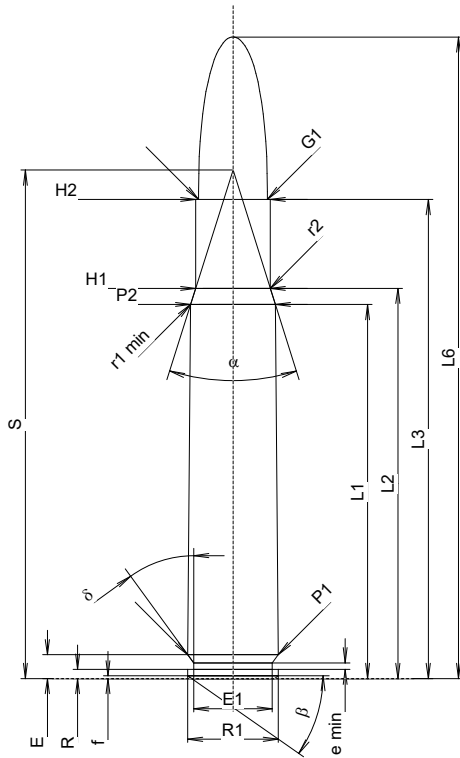


**C.I.P.****35 Whelen**

Country of Origin: US

**TAB.****I****Date****94-03-01****Revision****24-05-14****CARTRIDGE MAXI****Lengths**

L1 <sup>1)</sup>	=	49.48	-0.20
L2 <sup>1)</sup>	=	51.60	-0.20
L3 <sup>1)</sup>	=	63.35	
L4	=		
L5	=		
L6	=	84.84	

**Case Head**

R	=	1.24	
R1	=	12.01	
R3	=		
E	=	3.16	
E1	=	10.39	
e min	=	0.84	
delta	=	36°	
f	=	0.38	
beta	=	35°	

**Powder Chamber**

P1	=	11.96	
P2 <sup>1)</sup> *	=	11.20	-0.20

**Junction Cone**

alpha *	=	35°	
S *	=	67.24	
r1 min	=	1.27	
r2	=	2.54	

**Collar**

H1 *	=	9.86	
H2 <sup>1)</sup>	=	9.86	

**Projectile**

G1 <sup>1)</sup>	=	9.12	
G2	=		
F	=		
L3+G <sup>1)</sup>	=	73.56	

**Pressures (Energies)****Method Transducer**

Pmax	=	4000 bar	
PK	=	4600 bar	
PE	=	5000 bar	
M	=	25.00	
EE	=	4560 Joule	

**Miscellaneous Dimensions**

Fe <sup>1)</sup>	=	0.10	
delta L	=	0.15	

**CHAMBER MINI****Lengths**

L1	=	49.27	
L2	=	51.37	
L3 <sup>1)</sup>	=	63.55	

**Breech**

R	=		
R1	=	12.04	
R2	=		
R3	=		
r	=		

**Powder Chamber**

E	=	3.16	
P1 <sup>1)</sup>	=	11.99	
P2 *	=	11.24	

**Junction Cone**

alpha <sup>1)</sup> *	=	35°	
S *	=	67.09	
r1 max	=	1.27	
r2	=	2.54	

**Collar**

H1 *	=	9.91	
H2 <sup>1)</sup>	=	9.88	

**Commencement of Rifling**

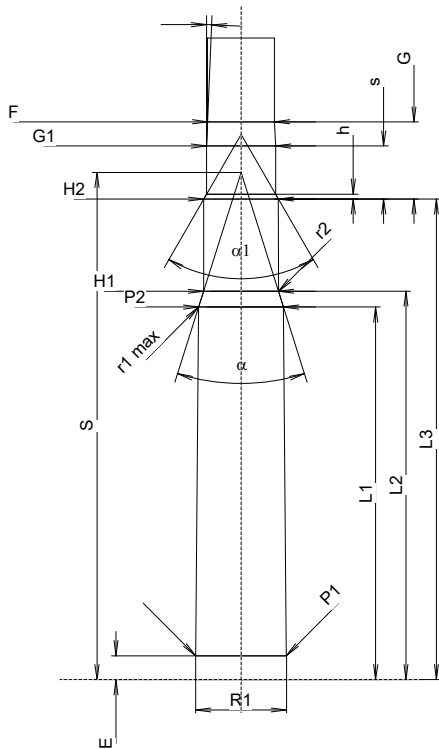
G1 <sup>1)</sup> *	=	9.14	
G <sup>1)</sup>	=	10.21	
alpha <sup>1)</sup> *	=	60°	
h	=	0.64	
s	=	7.00	
i <sup>1)</sup> *	=	2°30'	
w	=		

**Barrel**

F <sup>1)</sup> *	=	8.86	
Z <sup>1)</sup>	=	9.07	

**Grooves**

b	=	3.30	
N	=	6	
u	=	406.40	
Q	=	63.78	mm <sup>2</sup>



Scale 1:1

Dimensions in << mm >>  
Dimensions and Tolerances for Proof Barrels  
see Appendix CR 1.

Notes: 1) Check for safety reasons  
\* Basic dimensions