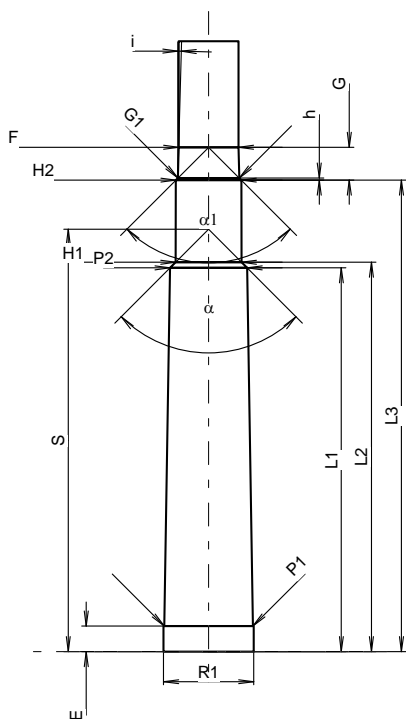
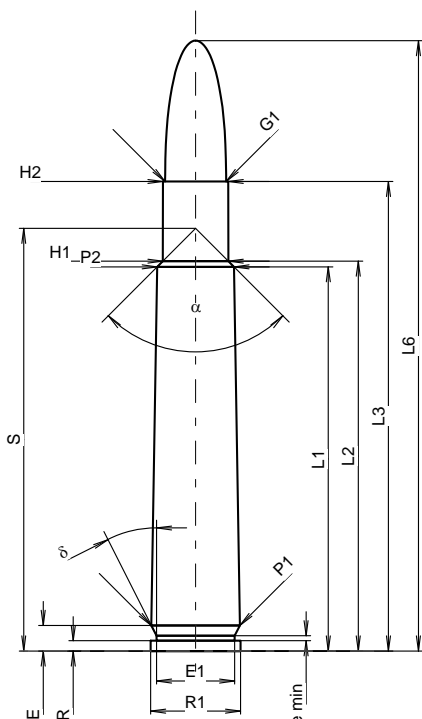


C.I.P.**350 Rigby Mag.**

TAB.	I
Date	84-06-14
Révision	20-11-10

Pays d'origine: GB

Marquage alternatif: 350 Mag. Rigby



Échelle 1:1.12

Dimensions en << mm >>
Dimensions et tolérances pour les canons
d'épreuve: Voyez Annexe CR 1.

CARTOUCHE MAXI**Longueurs**

L1 ¹⁾ *	=	57.15	-0.20
L2 ¹⁾ *	=	57.99	-0.20
L3 ¹⁾	=	69.85	
L4	=		
L5	=		
L6	=	90.80	

Culot

R	=	1.52	
R1	=	13.36	
R3	=		
E	=	3.81	
E1	=	11.61	
e min	=	0.76	
delta	=	26°51'36"	
f	=		
beta	=		

Chambre à poudre

P1	=	13.16	
P2 ¹⁾ *	=	11.43	-0.20

Cône de raccordement

alpha	=	90°	
S	=	62.87	
r1 min	=		
r2	=		

Collet

H1 *	=	9.75	
H2 ¹⁾	=	9.73	

Projectile

G1 ¹⁾	=	9.07	
G2	=		
F	=		
L3+G ¹⁾	=	74.74	

Pressions (Énergies)**Méthode transducteur**

Pmax	=	3100 bar	
PK	=	3565 bar	
PE	=	3875 bar	
M	=	25.00	
EE	=	4810 Joule	

Autres indications

Fe ¹⁾³⁾	=	0.15	
delta L	=	0.04	

CHAMBRE MINI**Longueurs**

L1 *	=	57.10	
L2 *	=	57.94	
L3 ¹⁾	=	70.15	

Cuvette

R	=	1.52	
R1	=	13.41	
R2	=		
R3	=		
r	=		

Chambre à poudre

E	=	3.81	
P1 ¹⁾	=	13.18	
P2 *	=	11.46	

Cône de raccordement

alpha ¹⁾	=	90°	
S	=	62.83	
r1 max	=		
r2	=		

Collet

H1 *	=	9.78	
H2 ¹⁾	=	9.75	

Prise de rayures

G1 ¹⁾ *	=	9.13	
G ¹⁾ *	=	4.89	
alpha1	=	90°	
h *	=	0.31	
s	=		
i ¹⁾ *	=	1°30'	
w	=		

Canon

F ¹⁾ *	=	8.89	
Z ¹⁾	=	9.06	

Rayures

b	=	2.79	
N	=	6	
u	=	305.00	
Q	=	63.52	mm ²

Notes: 1) A' contrôler pour la sécurité
3) Feuillure sur la cone de raccordement
* Dimensions de base