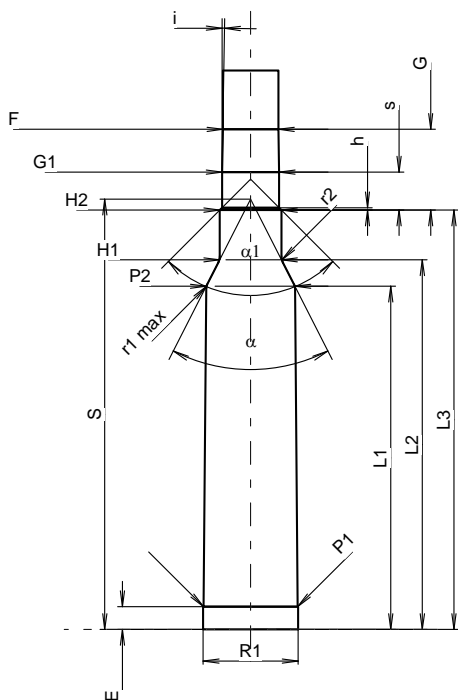
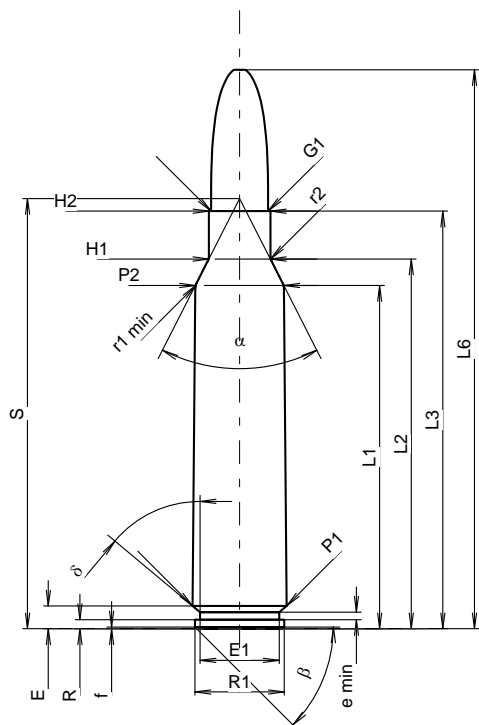


**C.I.P.****375 SWISS P**

TAB.	I
Date	18-05-16
Revision	

Country of Origin: CH

Alternative Names: 9.5 x 70 mm



Scale 1:1.26

Dimensions in << mm >>  
 Dimensions and Tolerances for Proof Barrels  
 see Appendix CR 1.

**CARTRIDGE MAXI****Lengths**

L1 <sup>1)</sup>	=	57.43	-0.20
L2 <sup>1)</sup>	=	61.85	-0.20
L3 <sup>1)</sup>	=	69.85	
L4	=		
L5	=		
L6	=	93.50	

**Case Head**

R	=	1.52	
R1	=	14.93	
R3	=		
E	=	3.81	
E1	=	13.24	
e min	=	1.25	
delta	=	50°	
f	=	0.30	
beta	=	45°	

**Powder Chamber**

P1	=	15.73	
P2 <sup>1)</sup> *	=	14.80	-0.20

**Junction Cone**

alpha *	=	54°	
S *	=	71.96	
r1 min	=	2.00	
r2	=	2.00	

**Collar**

H1 *	=	10.30	
H2 <sup>1)</sup>	=	10.30	

**Projectile**

G1 <sup>1)</sup>	=	9.55	
G2	=		
F	=		
L3+G <sup>1)</sup>	=	83.36	

**Pressures (Energies)****Method Transducer**

Pmax	=	4200 bar	
PK	=	4830 bar	
PE	=	5250 bar	
M	=	25.00	
EE	=	7500 Joule	

**Miscellaneous Dimensions**

Fe <sup>1)3)</sup>	=	0.10	
delta L	=		

**CHAMBER MINI****Lengths**

L1	=	57.41	
L2	=	61.82	
L3 <sup>1)</sup>	=	70.15	

**Breech**

R	=		
R1	=	15.86	
R2	=		
R3	=		
r	=		

**Powder Chamber**

E	=	3.81	
P1 <sup>1)</sup>	=	15.76	
P2 *	=	14.83	

**Junction Cone**

alpha <sup>1)</sup> *	=	54°	
S *	=	71.97	
r1 max	=	1.50	
r2	=	2.50	

**Collar**

H1 *	=	10.34	
H2 <sup>1)</sup>	=	10.33	

**Commencement of Rifling**

G1 <sup>1)</sup> *	=	9.55	
G <sup>1)</sup>	=	13.51	
alpha l	=	90°	
h	=	0.39	
s *	=	6.35	
i <sup>1)</sup> *	=	1°	
w	=		

**Barrel**

F <sup>1)</sup> *	=	9.30	
Z <sup>1)</sup>	=	9.55	

**Grooves**

b	=	4.49	
N	=	4	
u	=	304.80	
Q	=	70.27	mm <sup>2</sup>

Notes: 1) Check for safety reasons  
 3) Headspace on Shoulder  
 \* Basic dimensions