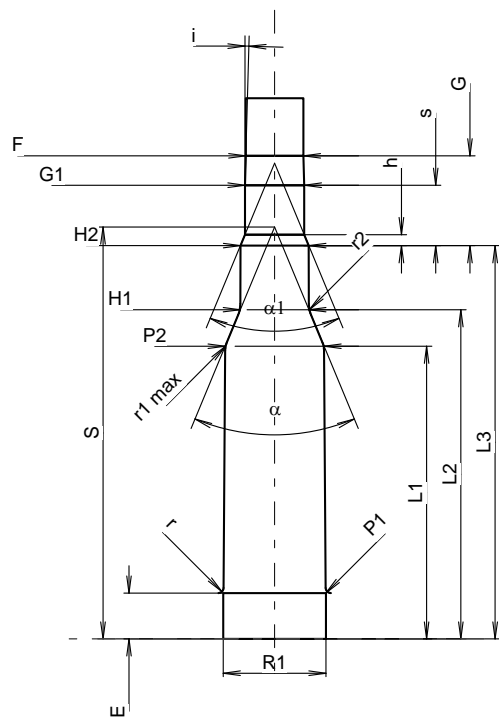
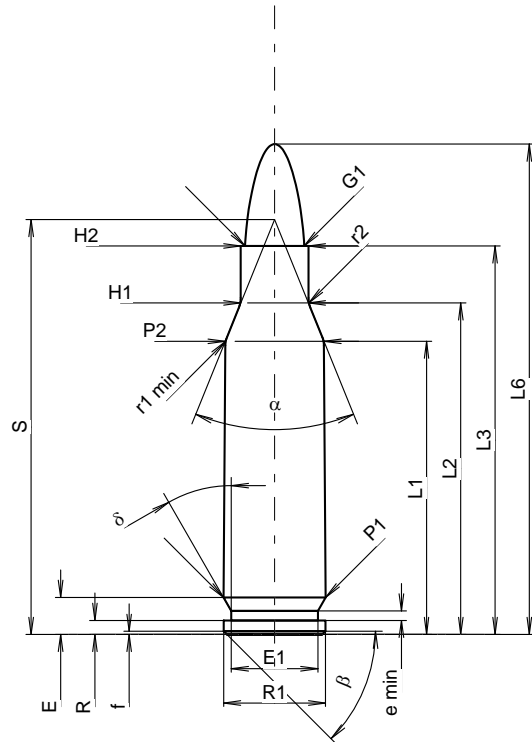


C.I.P.**4,6 x 30**

Country of Origin: DE

TAB.	I
Date	04-05-18
Revision	16-05-18



Scale 1.69:1

Dimensions in << mm >>
 Dimensions and Tolerances for Proof Barrels
 see Appendix CR 1.

CARTRIDGE MAXI**Lengths**

L1 ¹⁾ *	=	23.02	-0.20
L2 ¹⁾ *	=	26.03	-0.20
L3 ¹⁾	=	30.50	
L4	=		
L5	=		
L6	=	38.50	

Case Head

R	=	1.10	
R1	=	8.00	
R3	=		
E	=	2.91	
E1	=	6.80	
e min	=	0.75	
delta	=	30°	
f	=	0.25	
beta	=	45°	

Powder Chamber

P1	=	8.02	
P2 ¹⁾ *	=	7.75	-0.20

Junction Cone

alpha	=	44°07'37"	
S	=	32.58	
r1 min	=	1.70	
r2	=	2.00	

Collar

H1 *	=	5.31	
H2 ¹⁾	=	5.31	

Projectile

G1 ¹⁾	=	4.65	
G2	=		
F	=		
L3+G ¹⁾	=	37.55	

Pressures (Energies)**Method Transducer**

Pmax	=	4000 bar	
PK	=	4600 bar	
PE	=	5000 bar	
M	=	17.50	
EE	=	500 Joule	

Miscellaneous Dimensions

Fe ¹⁾³⁾	=	0.10	
delta L	=	0.08	

Notes: 1) Check for safety reasons
 3) Headspace on Shoulder
 * Basic dimensions

CHAMBER MINI**Lengths**

L1 *	=	22.98	
L2 *	=	25.85	
L3 ¹⁾	=	30.88	

Breech

R	=	3.15	
R1	=	8.07	
R2	=	3.00	
R3	=		
r	=	0.40	

Powder Chamber

E	=	3.60	
P1 ¹⁾	=	8.03	
P2 *	=	7.76	

Junction Cone

alpha ¹⁾	=	45°02'28"	
S	=	32.34	
r1 max	=	1.60	
r2	=	2.30	

Collar

H1 *	=	5.38	
H2 ¹⁾	=	5.36	

Commencement of Rifling

G1 ¹⁾ *	=	4.65	
G ¹⁾ *	=	7.05	
alpha1	=	45°	
h	=	0.86	
s *	=	4.74	
i ¹⁾	=	1°36'42"	
w	=		

Barrel

F ¹⁾ *	=	4.52	
Z ¹⁾	=	4.65	

Grooves

b	=	1.21	
N	=	6	
u	=	150.00	
Q	=	16.52	mm ²