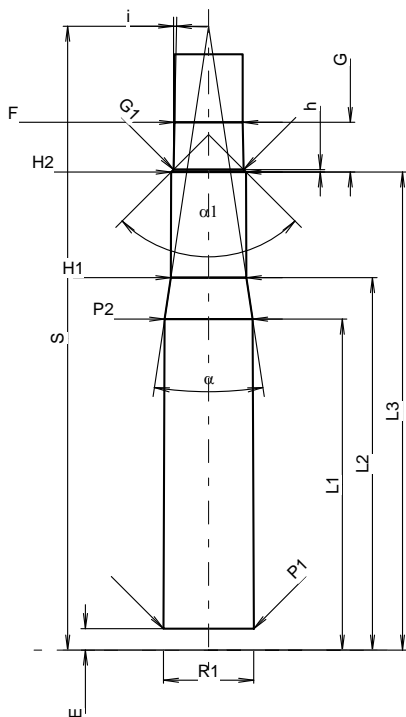
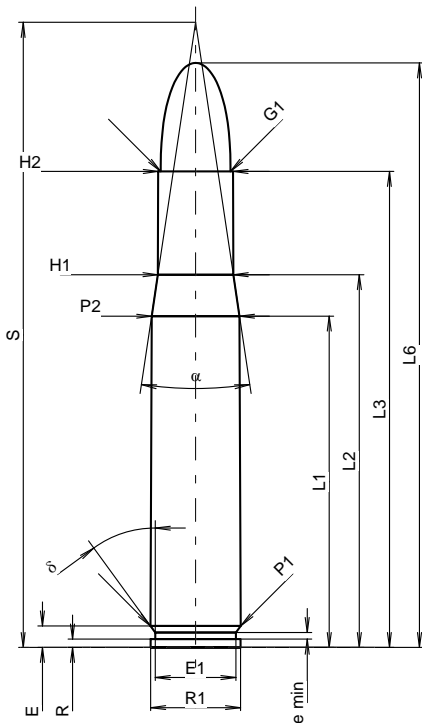


C.I.P.**404 Riml. N.E.**

TAB.	I
Datum	84-06-14
Revision	20-04-21

Ursprungsland: GB

Alternative Namen: 404 Jeffery



Maßstab 1:1.16

Maße in << mm >>
Maße und Toleranzen für Messläufe
siehe Anhang CR 1.

PATRONE MAXI**Längen**

L1 ¹⁾ *	=	50.82	-0.20
L2 ¹⁾ *	=	57.18	-0.20
L3 ¹⁾	=	73.02	
L4	=		
L5	=		
L6	=	89.66	

Hülsenboden

R	=	1.27	
R1	=	13.79	
R3	=		
E	=	3.30	
E1	=	12.37	
e min	=	1.02	
delta	=	36°02'39"	
f	=		
beta	=		

Pulverkammer

P1	=	13.84	
P2 ¹⁾ *	=	13.46	-0.20

Schulterkonus

alpha	=	16°59'26"	
S	=	95.88	
r1 min	=		
r2	=		

Hülsenhals

H1 *	=	11.56	
H2 ¹⁾	=	11.48	

Geschoss

G1 ¹⁾	=	10.72	
G2	=		
F	=		
L3+G ¹⁾	=	80.64	

Drücke (Energien)**Mech. elektr. Wandler**

Pmax	=	3650 bar	
PK	=	4198 bar	
PE	=	4560 bar	
M	=	25.00	
EE	=	6815 Joule	

Verschiedene Daten

Fe ¹⁾	=	0.15	
delta L	=		

PATRONENLAGER MINI**Längen**

L1 *	=	50.77	
L2 *	=	57.13	
L3 ¹⁾	=	73.33	

Stoßboden

R	=	1.27	
R1	=	13.84	
R2	=		
R3	=		
r	=		

Pulverkammer

E	=	3.30	
P1 ¹⁾	=	13.87	
P2 *	=	13.49	

Schulterkonus

alpha ¹⁾	=	17°04'45"	
S	=	95.69	
r1 max	=		
r2	=		

Hülsenhals

H1 *	=	11.58	
H2 ¹⁾	=	11.51	

Geschossübergang

G1 ¹⁾ *	=	10.77	
G ¹⁾ *	=	7.62	
alpha1	=	90°	
h *	=	0.37	
s	=		
i ¹⁾	=	1°13'28"	
w	=		

Lauf

F ¹⁾ *	=	10.46	
Z ¹⁾	=	10.77	

Züge

b	=	3.50	
N	=	6	
u	=	420.00	
Q	=	89.25	mm ²

Bemerkungen: 1) Kontrolle aus Sicherheitsgründen
* Grundmaße