

C.I.P.**416 A-TEC**

TAB.

I

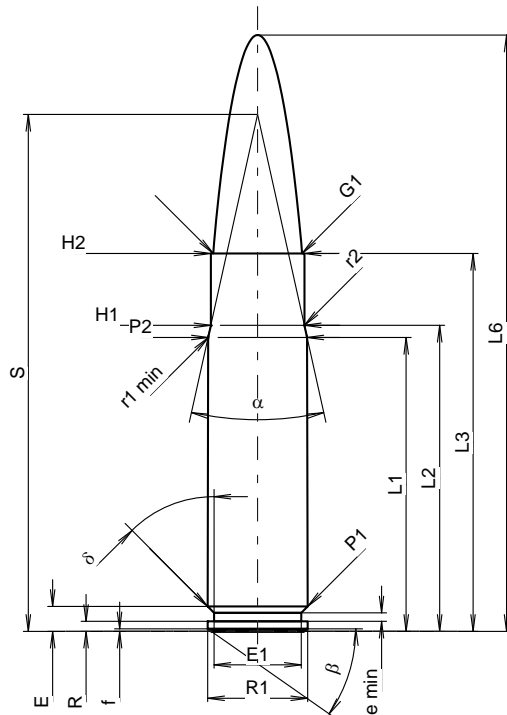
Datum

16-05-18

Revision

Ursprungsland: NO

Alternative Namen: 416 A-SUB

**PATRONE MAXI****Längen**

L1 ¹⁾	=	35.00	-0.20
L2 ¹⁾	=	36.44	-0.20
L3 ¹⁾	=	45.00	
L4	=		
L5	=		
L6	=	71.00	

Hülsenboden

R	=	1.20	
R1	=	11.90	
R3	=		
E	=	2.97	
E1	=	10.39	
e min	=	1.00	
delta	=	45°	
f	=	0.30	
beta	=	35°	

Pulverkammer

P1	=	11.92	
P2 ¹⁾ *	=	11.77	-0.20

Schulterkonus

alpha [*]	=	25°	
S [*]	=	61.54	
r1 min	=	2.00	
r2	=	0.50	

Hülsenhals

H1 [*]	=	11.13	
H2 ¹⁾	=	11.13	

Geschoss

G1 ¹⁾	=	10.57	
G2	=		
F	=		
L3+G ¹⁾	=	52.79	

Drücke (Energien)**Mech. elektr. Wandler**

Pmax	=	4150 bar	
PK	=	4773 bar	
PE	=	5188 bar	
M	=	25.00	
EE	=	3000 Joule	

Verschiedene Daten

Fe ¹⁾³⁾	=	0.10	
delta L	=		

PATRONENLAGER MINI**Längen**

L1	=	35.00	
L2	=	36.40	
L3 ¹⁾	=	45.20	

Stoßboden

R	=		
R1	=	11.95	
R2	=		
R3	=		
r	=	1.00	

Pulverkammer

E	=	3.50	
P1 ¹⁾	=	11.95	
P2 [*]	=	11.80	

Schulterkonus

alpha ¹⁾ *	=	25°	
S [*]	=	61.61	
r1 max	=	2.00	
r2	=	0.50	

Hülsenhals

H1 [*]	=	11.18	
H2 ¹⁾	=	11.15	

Geschossübergang

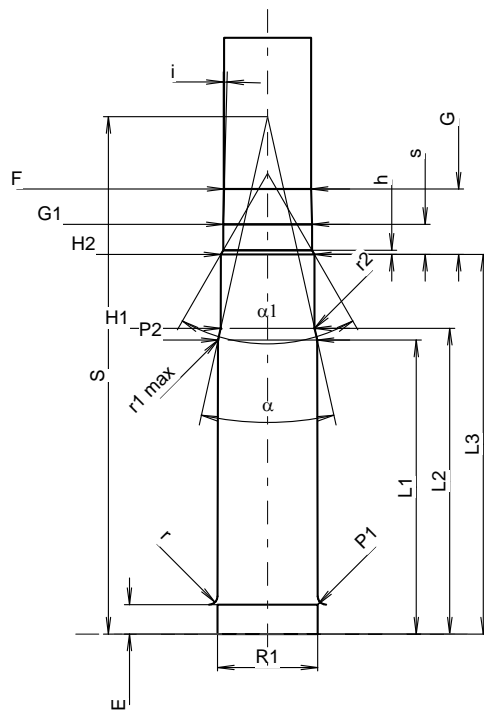
G1 ¹⁾ *	=	10.58	
G ¹⁾	=	7.79	
alpha l	=	60°	
h	=	0.49	
s [*]	=	3.59	
i ¹⁾ *	=	1°30'	
w	=		

Lauf

F ¹⁾ *	=	10.36	
Z ¹⁾	=	10.57	

Züge

b	=	3.25	
N	=	6	
u	=	356.00	
Q	=	86.38	mm ²



Maßstab 1.11:1

Maße in << mm >>
Maße und Toleranzen für Messläufe
siehe Anhang CR 1.

Bemerkungen: 1) Kontrolle aus Sicherheitsgründen
3) Verschlussabstand an Schulter
* Grundmaße