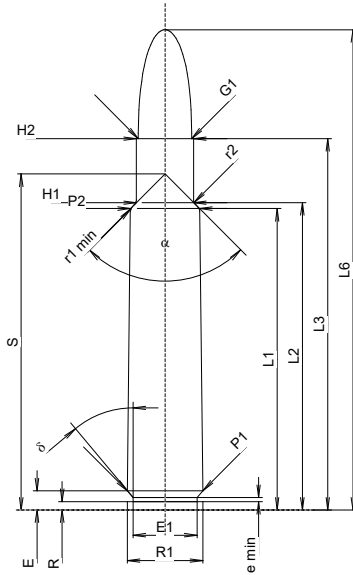


C.I.P.

416 Rigby

Country of Origin: GB

TAB.	I
Date	84-06-14
Revision	21-04-07



CARTRIDGE MAXI

Lengths

L1 ¹⁾ *	=	59.77	-0.20
L2 ¹⁾ *	=	60.96	-0.20
L3 ¹⁾	=	73.66	
L4	=		
L5	=		
L6	=	95.25	

Case Head

R	=	1.65
R1	=	14.99
R3	=	
E	=	3.81
E1	=	12.70
e min	=	0.81
δ	=	39.930000°
f	=	
β	=	0°

Powder Chamber

P1	=	14.96	
P2 ¹⁾ *	=	13.72	-0.20

Junction Cone

α	=	89°45'32"
S	=	66.66
r1 min	=	1.50
r2	=	1.50

Collar

H1 *	=	11.35
H2 ¹⁾	=	11.33

Projectile

G1 ¹⁾	=	10.57
G2	=	
F	=	
L3+G ¹⁾	=	81.28

Pressures (Energies)

Method Transducer

Pmax	=	3250 bar
PK	=	3738 bar
PE	=	4060 bar
M	=	25.00
EE	=	7270 Joule

Miscellaneous Dimensions

Fe ¹⁾	=	0.15
delta L	=	

CHAMBER MINI

Lengths

L1 *	=	59.72
L2 *	=	60.91
L3 ¹⁾	=	73.96

Breech

R	=	1.65
R1	=	15.04
R2	=	
R3	=	
r	=	

Powder Chamber

E	=	3.81
P1 ¹⁾	=	14.99
P2 *	=	13.74

Junction Cone

α ¹⁾	=	89°30'59"
S	=	66.65
r1 max	=	1.50
r2	=	1.50

Collar

H1 *	=	11.38
H2 ¹⁾	=	11.35

Commencement of Rifling

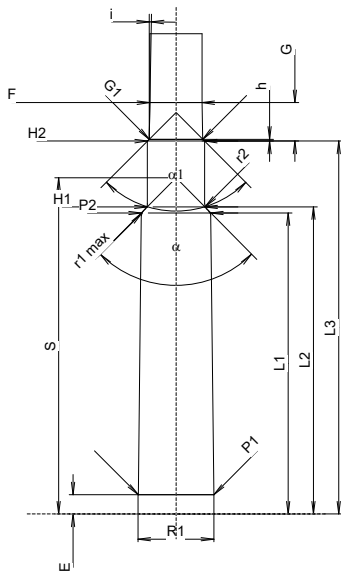
G1 ¹⁾ *	=	10.59
G ¹⁾ *	=	7.62
α1	=	90°
h *	=	0.38
s	=	
i ¹⁾	=	0°54'36"
w	=	

Barrel

F ¹⁾ *	=	10.36
Z ¹⁾	=	10.57

Grooves

b	=	3.60
N	=	6
u	=	420.00
Q	=	86.61 mm ²



Scale 1:1.5

Dimensions in << mm >>
Dimensions and Tolerances for Proof Barrels
see Appendix CR 1.

Notes: 1) Check for safety reasons
* Basic dimensions