

C.I.P.

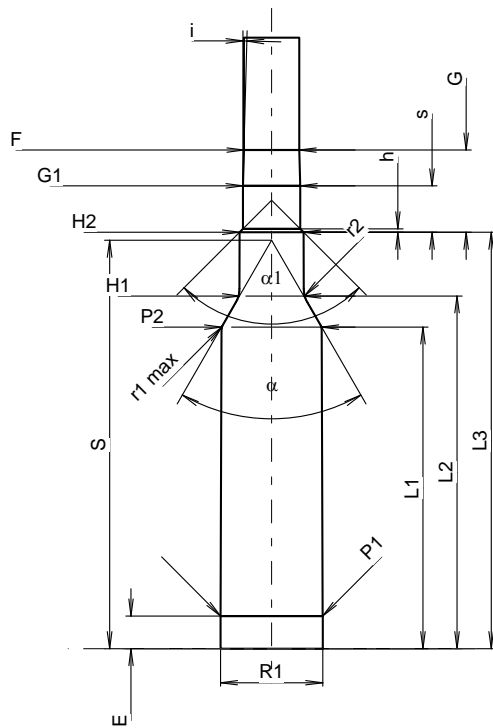
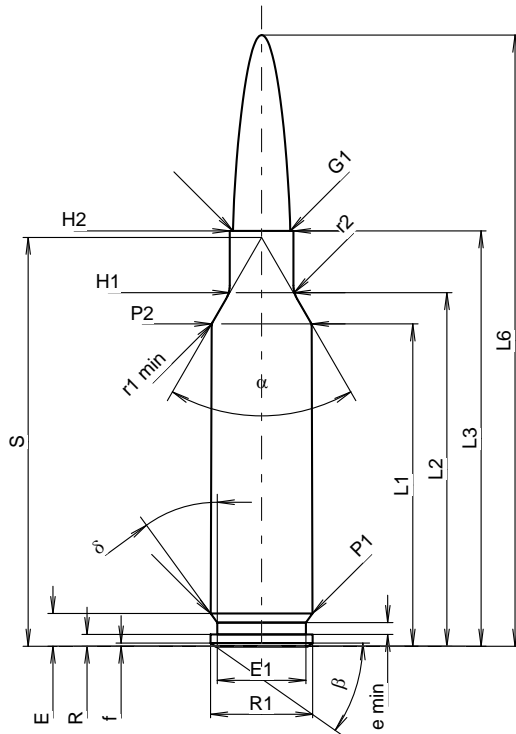
6,5 Creedmoor

Country of Origin: US

TAB. I

Date 12-05-30

Revision 20-04-21



Scale 1.13:1

Dimensions in << mm >>
Dimensions and Tolerances for Proof Barrels
see Appendix CR1.

CARTRIDGE MAXI

Lengths

L1 ¹⁾	=	37.84	-0.20
L2 ¹⁾	=	41.52	-0.20
L3 ¹⁾	=	48.77	
L4	=		
L5	=		
L6	=	71.76	

Case Head

R	=	1.37	
R1	=	11.99	
R3	=		
E	=	3.84	
E1	=	10.39	
e min	=	1.40	
delta	=	36°	
f	=	0.38	
beta	=	35°	

Powder Chamber

P1	=	11.95	
P2 ¹⁾ *	=	11.74	-0.20

Junction Cone

alpha *	=	60°	
S *	=	48.01	
r1 min	=	0.76	
r2	=	3.18	

Collar

H1 *	=	7.49	
H2 ¹⁾	=	7.49	

Projectile

G1 ¹⁾	=	6.72	
G2	=		
F	=		
L3+G ¹⁾	=	58.42	

Pressures (Energies)

Method Transducer

Pmax	=	4350 bar	
PK	=	5003 bar	
PE	=	5438 bar	
M	=	25.00	
EE	=	3400 Joule	

Miscellaneous Dimensions

Fe ¹⁾³⁾	=	0.10	
delta L	=	0.06	

Notes: 1) Check for safety reasons
3) Headspace on Shoulder
* Basic dimensions

CHAMBER MINI

Lengths

L1	=	37.76	
L2	=	41.42	
L3 ¹⁾	=	48.90	

Breech

R	=		
R1	=	12.01	
R2	=		
R3	=		
r	=		

Powder Chamber

E	=	3.84	
P1 ¹⁾	=	11.98	
P2 *	=	11.76	

Junction Cone

alpha ¹⁾ *	=	60°	
S *	=	47.95	
r1 max	=	0.76	
r2	=	3.18	

Collar

H1 *	=	7.54	
H2 ¹⁾	=	7.52	

Commencement of Rifling

G1 ¹⁾ *	=	6.72	
G ¹⁾	=	9.65	
alpha 1	=	90°	
h	=	0.40	
s *	=	5.45	
i ¹⁾ *	=	1°30'	
w	=		

Barrel

F ¹⁾ *	=	6.50	
Z ¹⁾	=	6.71	

Grooves

b	=	2.29	
N	=	6	
u	=	203.00	
Q	=	34.66	mm ²