

C.I.P.**6,5 mm Lahoz**

TAB.

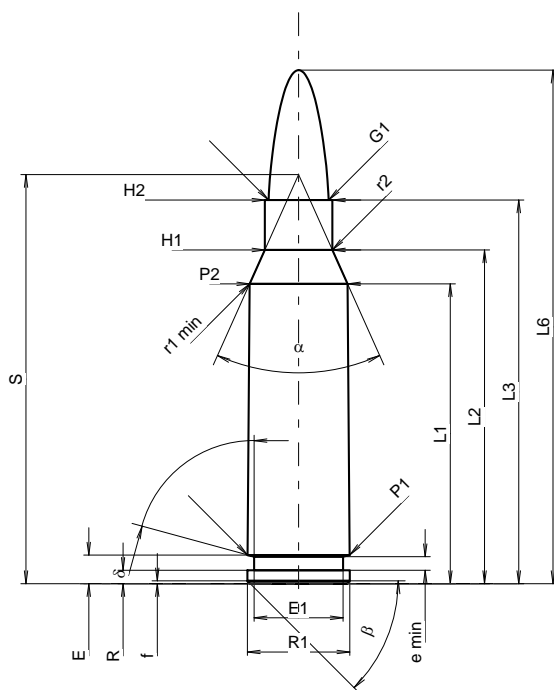
I

Date

11-05-25

Pays d'origine: FR

Révision

**CARTOUCHE MAXI****Longueurs**

L1 ¹⁾	=	33.52	-0.20
L2 ¹⁾	=	37.30	-0.20
L3 ¹⁾	=	42.87	
L4	=		
L5	=		
L6	=	57.40	

Culot

R	=	1.50	
R1	=	11.45	
R3	=		
E	=	3.20	
E1	=	9.95	
e min	=	1.50	
delta	=	74°40'48"	
f	=	0.30	
beta	=	45°	

Chambre à poudre

P1	=	11.41	
P2 ¹⁾ *	=	10.94	-0.20

Cône de raccordement

alpha *	=	48°18'15"	
S *	=	45.72	
r1 min	=	3.00	
r2	=	2.00	

Collet

H1 *	=	7.55	
H2 ¹⁾	=	7.55	

Projectile

G1 ¹⁾ *	=	6.71	
G2	=		
F	=		
L3+G ¹⁾	=	48.49	

Pressions (Énergies)**Méthode transducteur**

Pmax	=	3450 bar	
PK	=	3968 bar	
PE	=	4313 bar	
M	=	25.00	
EE	=	2010 Joule	

Autres indications

Fe ¹⁾³⁾	=	0.15	
delta L	=	0.14	

CHAMBRE MINI**Longueurs**

L1	=	33.42	
L2	=	37.20	
L3 ¹⁾	=	42.72	

Cuvette

R	=		
R1	=	11.47	
R2	=		
R3	=		
r	=		

Chambre à poudre

E	=	3.20	
P1 ¹⁾	=	11.46	
P2 *	=	10.95	

Cône de raccordement

alpha ¹⁾ *	=	48°10'40"	
S *	=	45.67	
r1 max	=	3.00	
r2	=	2.00	

Collet

H1 *	=	7.57	
H2 ¹⁾	=	7.57	

Prise de rayures

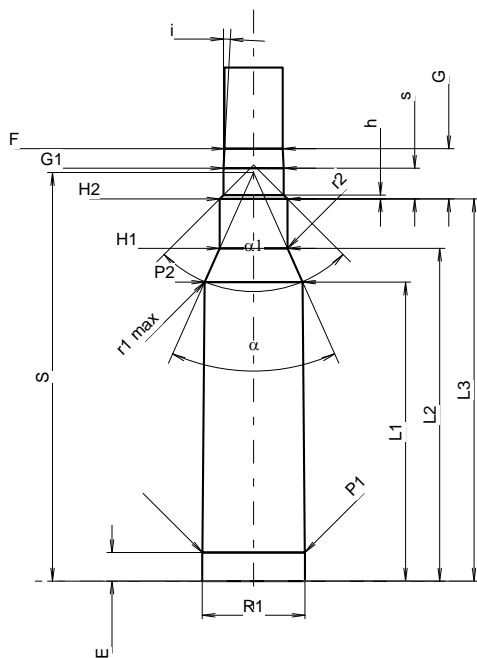
G1 ¹⁾ *	=	6.73	
G ¹⁾	=	5.62	
alpha l	=	90°	
h	=	0.42	
s	=	3.43	
i ¹⁾ *	=	3°	
w	=		

Canon

F ¹⁾ *	=	6.50	
Z ¹⁾	=	6.70	

Rayures

b	=	2.42	
N	=	6	
u	=	228.60	
Q	=	34.67	mm ²



Échelle 1.18:1

Dimensions en << mm >>
Dimensions et tolérances pour les canons
d'épreuve: Voyez Annexe CR 1.

Notes: 1) A' contrôler pour la sécurité
3) Feuillure sur la cone de raccordement
* Dimensions de base