

C.I.P.**6,5 PRC**

TAB.

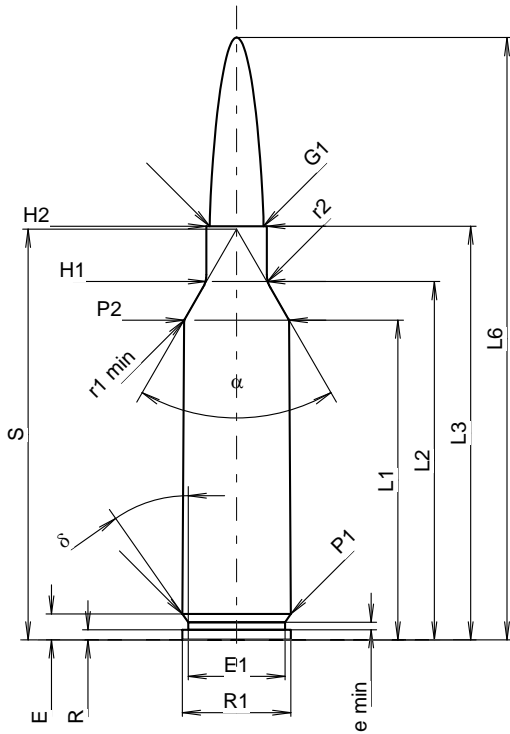
I

Datum

18-10-17

Revision

Ursprungsland: US

**PATRONE MAXI****Längen**

L1 ¹⁾	=	39.84	-0.20
L2 ¹⁾	=	44.65	-0.20
L3 ¹⁾	=	51.56	
L4	=		
L5	=		
L6	=	75.06	

Hülsenboden

R	=	1.27	
R1	=	13.51	
R3	=		
E	=	3.24	
E1	=	12.07	
e min	=	0.94	
delta	=	35°	
f	=		
beta	=	35°	

Pulverkammer

P1	=	13.51	
P2 ¹⁾ *	=	13.10	-0.20

Schulterkonus

alpha [*]	=	60°	
S [*]	=	51.18	
r1 min	=	0.76	
r2	=	3.18	

Hülsenhals

H1 [*]	=	7.54	
H2 ¹⁾	=	7.54	

Geschoss

G1 ¹⁾	=	6.72	
G2	=		
F	=		
L3+G ¹⁾	=	60.96	

Drücke (Energien)**Mech. elektr. Wandler**

Pmax	=	4400 bar	
PK	=	5060 bar	
PE	=	5500 bar	
M	=	25.00	
EE	=	4000 Joule	

Verschiedene Daten

Fe ¹⁾³⁾	=	0.10	
delta L	=	0.06	

PATRONENLAGER MINI**Längen**

L1	=	39.75	
L2	=	44.55	
L3 ¹⁾	=	51.82	

Stoßboden

R	=		
R1	=	13.60	
R2	=		
R3	=		
r	=		

Pulverkammer

E	=	3.24	
P1 ¹⁾	=	13.55	
P2 [*]	=	13.13	

Schulterkonus

alpha ¹⁾ *	=	60°	
S [*]	=	51.12	
r1 max	=	0.76	
r2	=	3.18	

Hülsenhals

H1 [*]	=	7.59	
H2 ¹⁾	=	7.57	

Geschossübergang

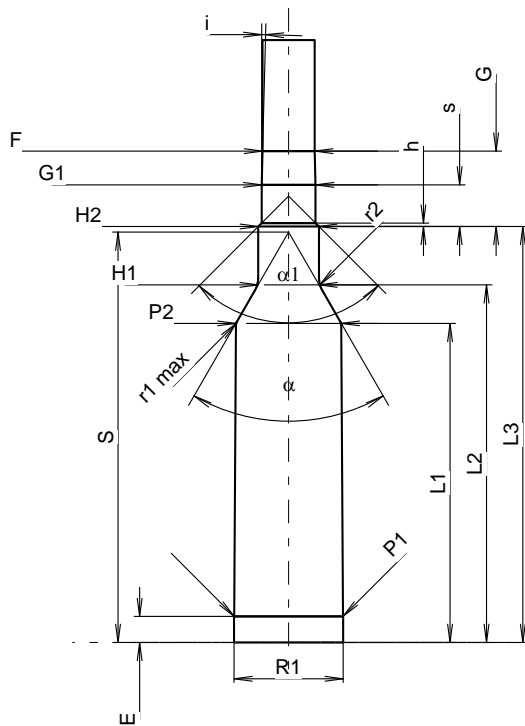
G1 ¹⁾ *	=	6.72	
G ¹⁾	=	9.40	
alpha 1	=	90°	
h	=	0.43	
s [*]	=	5.20	
i ¹⁾ *	=	1°30'	
w	=		

Lauf

F ¹⁾ *	=	6.50	
Z ¹⁾	=	6.71	

Züge

b	=	2.27	
N	=	6	
u	=	203.00	
Q	=	34.64	mm ²



Maßstab 1.06:1

Maße in << mm >>
Maße und Toleranzen für Messläufe
siehe Anhang CR1.

Bemerkungen: 1) Kontrolle aus Sicherheitsgründen
3) Verschlussabstand an Schulter
* Grundmaße