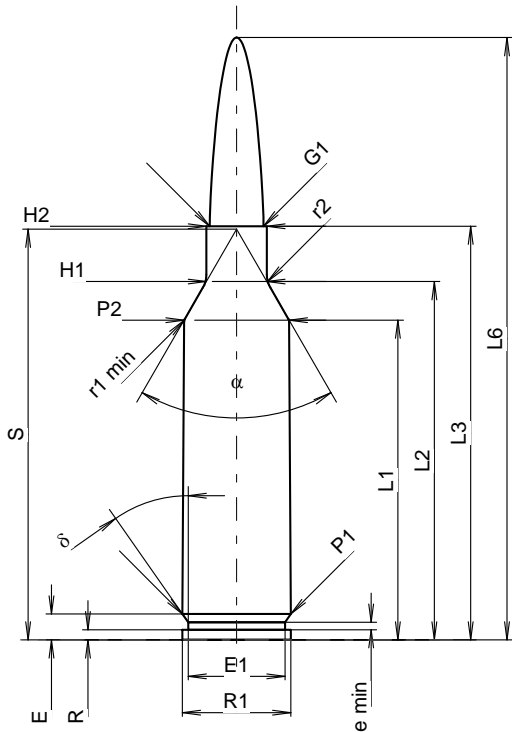


C.I.P.

6,5 PRC

Country of Origin: US

TAB.	I
Date	18-10-17
Revision	



CARTRIDGE MAXI

Lengths			
L1 ¹⁾	=	39.84	-0.20
L2 ¹⁾	=	44.65	-0.20
L3 ¹⁾	=	51.56	
L4	=		
L5	=		
L6	=	75.06	

Case Head			
R	=	1.27	
R1	=	13.51	
R3	=		
E	=	3.24	
E1	=	12.07	
e min	=	0.94	
delta	=	35°	
f	=		
beta	=	35°	

CHAMBER MINI

Lengths			
L1	=	39.75	
L2	=	44.55	
L3 ¹⁾	=	51.82	

Breech			
R	=		
R1	=	13.60	
R2	=		
R3	=		
r	=		

Powder Chamber

P1	=	13.51	
P2 ¹⁾ *	=	13.10	-0.20

Powder Chamber

E	=	3.24	
P1 ¹⁾	=	13.55	
P2 *	=	13.13	

Junction Cone

alpha *	=	60°	
S *	=	51.18	
r1 min	=	0.76	
r2	=	3.18	

Junction Cone

alpha ¹⁾ *	=	60°	
S *	=	51.12	
r1 max	=	0.76	
r2	=	3.18	

Collar

H1 *	=	7.54	
H2 ¹⁾	=	7.54	

Collar

H1 *	=	7.59	
H2 ¹⁾	=	7.57	

Projectile

G1 ¹⁾	=	6.72	
G2	=		
F	=		
L3+G ¹⁾	=	60.96	

Commencement of Rifling

G1 ¹⁾ *	=	6.72	
G ¹⁾	=	9.40	
alpha l	=	90°	
h	=	0.43	
s *	=	5.20	
i ¹⁾ *	=	1°30'	
w	=		

Pressures (Energies)

Method Transducer

Pmax	=	4400 bar	
PK	=	5060 bar	
PE	=	5500 bar	
M	=	25.00	
EE	=	4000 Joule	

Barrel

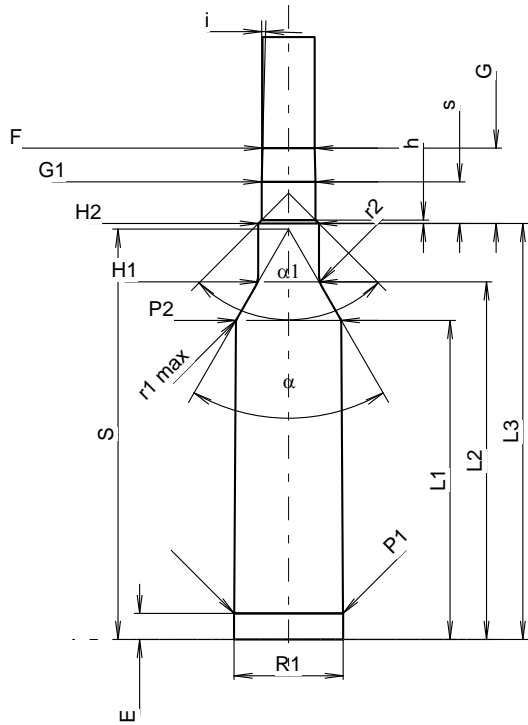
F ¹⁾ *	=	6.50	
Z ¹⁾	=	6.71	

Grooves

b	=	2.27	
N	=	6	
u	=	203.00	
Q	=	34.64	mm ²

Miscellaneous Dimensions

Fe ¹⁾³⁾	=	0.10	
delta L	=	0.06	



Scale 1.06:1

Dimensions in << mm >>
 Dimensions and Tolerances for Proof Barrels
 see Appendix CR1.

Notes: 1) Check for safety reasons
 3) Headspace on Shoulder
 * Basic dimensions