

C.I.P.**6,5 x 52 Carcano**

TAB.

I

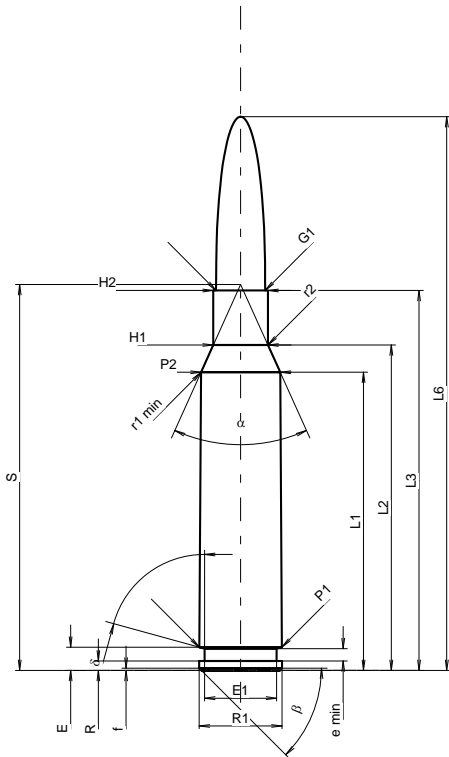
Datum

93-09-21

Revision

14-05-20

Ursprungsland: IT

**PATRONE MAXI****Längen**

L1 ¹⁾ *	=	41.20	-0.20
L2 ¹⁾ *	=	44.96	-0.20
L3 ¹⁾	=	52.50	
L4	=		
L5	=		
L6	=	76.50	

Hülsenboden

R	=	1.30	
R1	=	11.45	
R3	=		
E	=	3.20	
E1	=	9.95	
e min	=	1.70	
delta	=	74°40'48"	
f	=	0.30	
beta	=	45°	

Pulverkammer

P1	=	11.41	
P2 ¹⁾ *	=	10.94	-0.20

Schulterkonus

alpha	=	48°31'53"	
S	=	53.33	
r1 min	=	3.00	
r2	=	2.25	

Hülsenhals

H1 *	=	7.55	
H2 ¹⁾	=	7.55	

Geschoss

G1 ¹⁾	=	6.80	
G2	=		
F	=		
L3+G ¹⁾	=	76.90	

Drücke (Energien)**Mech. elektr. Wandler**

Pmax	=	2850 bar	
PK	=	3278 bar	
PE	=	3560 bar	
M	=	25.00	
EE	=	2465 Joule	

Verschiedene Daten

Fe ¹⁾³⁾	=	0.15	
delta L	=	0.05	

PATRONENLAGER MINI**Längen**

L1 *	=	41.15	
L2 *	=	44.89	
L3 ¹⁾	=	53.00	

Stoßboden

R	=		
R1	=	11.50	
R2	=		
R3	=		
r	=		

Pulverkammer

E	=	3.20	
P1 ¹⁾	=	11.46	
P2 *	=	10.95	

Schulterkonus

alpha ¹⁾	=	48°38'1"	
S	=	53.27	
r1 max	=	3.00	
r2	=	2.25	

Hülsenhals

H1 *	=	7.57	
H2 ¹⁾	=	7.55	

Geschossübergang

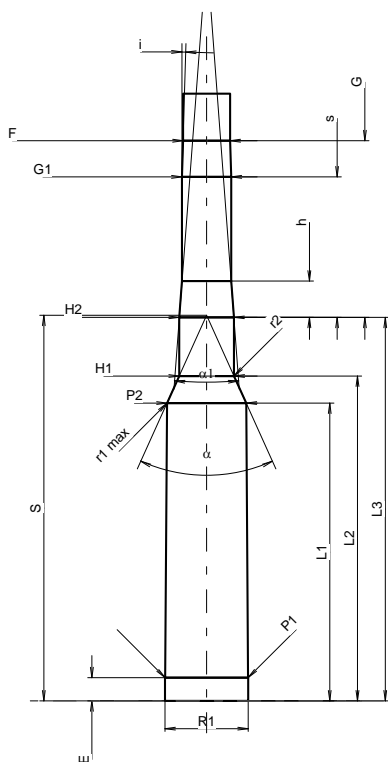
G1 ¹⁾ *	=	6.80	
G ¹⁾ *	=	24.40	
alpha l	=	8°34'41"	
h	=	5.00	
s *	=	19.40	
i ¹⁾	=	1°43'6"	
w	=		

Lauf

F ¹⁾ *	=	6.50	
Z ¹⁾	=	6.80	

Züge

b	=	3.00	
N	=	4	
u	=	201.50	
Q	=	35.05	mm ²



Maßstab 1:1.04

Maße in << mm >>
Maße und Toleranzen für Messläufe
siehe Anhang CR 1.

Bemerkungen: 1) Kontrolle aus Sicherheitsgründen
3) Verschlussabstand an Schulter
* Grundmaße