

# C.I.P.

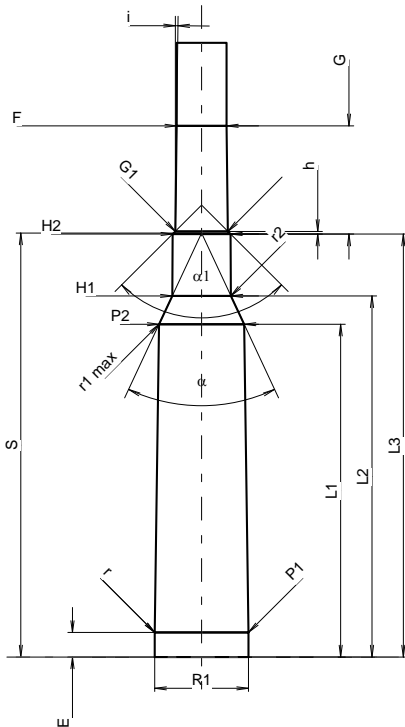
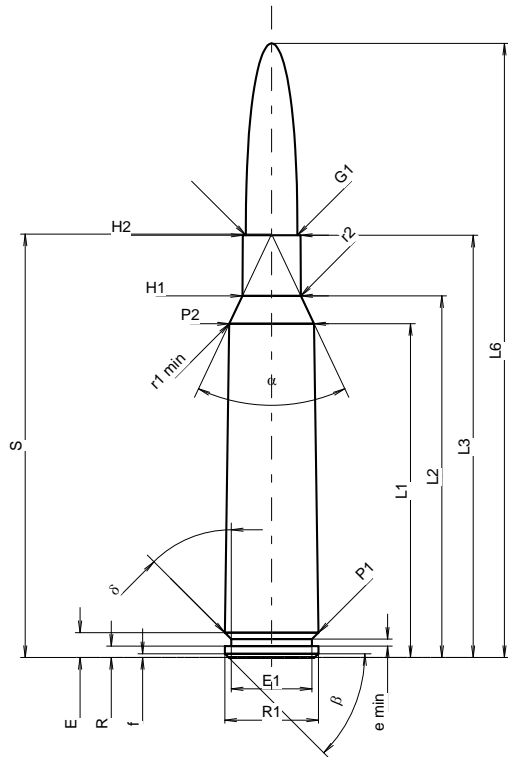
## 6,5 x 55 SE

Country of Origin: SE

TAB. I

Date 84-06-14

Revision 13-05-22



Scale 1.02:1

### CARTRIDGE MAXI

#### Lengths

L1 <sup>1)</sup>	=	43.49	-0.20
L2 <sup>1)</sup>	=	47.13	-0.20
L3 <sup>1)</sup>	=	55.00	
L4	=		
L5	=		
L6	=	80.00	

#### Case Head

R	=	1.50	
R1	=	12.20	
R3	=		
E	=	3.25	
E1	=	10.50	
e min	=	0.90	
delta	=	45°	
f	=	0.50	
beta	=	45°	

#### Powder Chamber

P1	=	12.20	
P2 <sup>1)</sup> *	=	11.04	-0.20

#### Junction Cone

alpha * <sup>1)</sup>	=	50°35'02"	
S * <sup>1)</sup>	=	55.17	
r1 min	=	3.50	
r2	=	3.70	

#### Collar

H1 * <sup>1)</sup>	=	7.60	
H2 <sup>1)</sup>	=	7.52	

#### Projectile

G1 <sup>1)</sup>	=	6.71	
G2	=		
F	=		
L3+G <sup>1)</sup>	=	69.10	

#### Pressures (Energies)

#### Method Transducer

Pmax	=	3800 bar	
PK	=	4370 bar	
PE	=	4750 bar	
M	=	25.00	
EE	=	3395 Joule	

#### Miscellaneous Dimensions

Fe <sup>1)3)</sup>	=	0.15	
delta L	=	0.08	

### CHAMBER MINI

#### Lengths

L1	=	43.36	
L2	=	47.04	
L3 <sup>1)</sup>	=	55.10	

#### Breech

R	=	1.50	
R1	=	12.23	
R2	=		
R3	=		
r	=	0.40	

#### Powder Chamber

E	=	3.20	
P1 <sup>1)</sup>	=	12.23	
P2 * <sup>1)</sup>	=	11.08	

#### Junction Cone

alpha <sup>1)</sup> *	=	50°	
S * <sup>1)</sup>	=	55.24	
r1 max	=	2.60	
r2	=	3.10	

#### Collar

H1 * <sup>1)</sup>	=	7.65	
H2 <sup>1)</sup>	=	7.55	

#### Commencement of Rifling

G1 <sup>1)</sup> *	=	6.84	
G <sup>1)</sup>	=	14.10	
alpha 1 * <sup>1)</sup>	=	90°	
h	=	0.35	
s	=		
i <sup>1)</sup> *	=	0°42'29"	
w	=		

#### Barrel

F <sup>1)</sup> *	=	6.50	
Z <sup>1)</sup>	=	6.73	

#### Grooves

b	=	2.50	
N	=	4	
u	=	220.00	
Q	=	34.36	mm <sup>2</sup>

Dimensions in << mm >>  
Dimensions and Tolerances for Proof Barrels  
see Appendix CR 1.

Notes: 1) Check for safety reasons  
3) Headspace on Shoulder  
\* Basic dimensions