

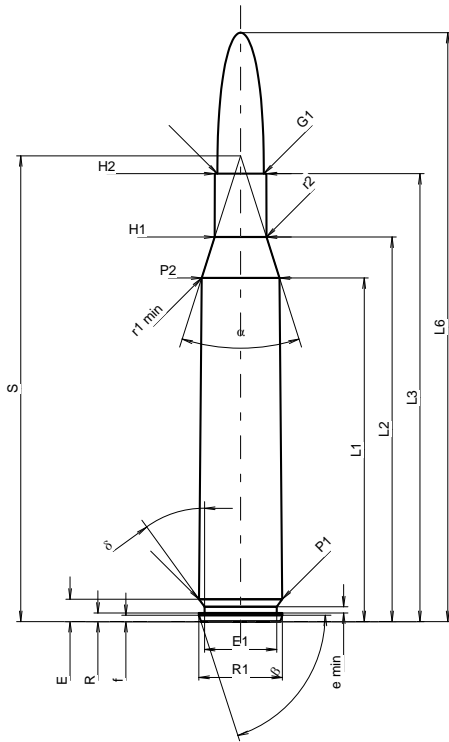
C.I.P.**6,5 x 64 Brenneke**

TAB. I

Date 92-02-27

Revision 13-05-22

Country of Origin: DE

**CARTRIDGE MAXI****Lengths**

L1 ^{1)*}	=	49.50	-0.20
L2 ^{1)*}	=	55.40	-0.20
L3 ¹⁾	=	64.52	
L4	=		
L5	=		
L6	=	84.84	

Case Head

R	=	1.24	
R1	=	12.01	
R3	=		
E	=	3.23	
E1	=	10.39	
e min	=	0.90	
delta	=	36°	
f	=	0.91	
beta	=	72°	

Powder Chamber

P1	=	11.97	
P2 ^{1)*}	=	11.21	-0.20

Junction Cone

alpha	=	35°20'54"	
S	=	67.09	
r1 min	=	1.02	
r2	=	3.18	

Collar

H1 *	=	7.45	
H2 ¹⁾	=	7.42	

Projectile

G1 ¹⁾	=	6.70	
G2	=		
F	=		
L3+G ¹⁾	=	71.10	

Pressures (Energies)**Method Transducer**

Pmax	=	4300 bar	
PK	=	4945 bar	
PE	=	5190 bar	
M	=	25.00	
EE	=	3645 Joule	

Miscellaneous Dimensions

Fe ¹⁾³⁾	=	0.10	
delta L	=	0.18	

CHAMBER MINI**Lengths**

L1 *	=	49.28	
L2 *	=	55.32	
L3 ¹⁾	=	65.02	

Breech

R	=		
R1	=	12.04	
R2	=		
R3	=		
r	=		

Powder Chamber

E	=	3.17	
P1 ¹⁾	=	11.98	
P2 *	=	11.23	

Junction Cone

alpha ¹⁾	=	34°29'30"	
S	=	67.37	
r1 max	=	0.76	
r2	=	3.18	

Collar

H1 *	=	7.48	
H2 ¹⁾	=	7.45	

Commencement of Rifling

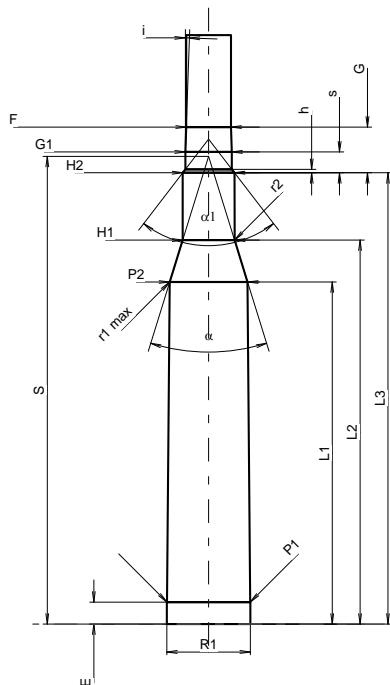
G1 ^{1)*}	=	6.70	
G ^{1)*}	=	6.58	
alpha1	=	75°	
h	=	0.49	
s *	=	3.00	
i ¹⁾	=	1°59'35"	
w	=		

Barrel

F ^{1)*}	=	6.45	
Z ¹⁾	=	6.70	

Grooves

b	=	3.50	
N	=	4	
u	=	255.00	
Q	=	34.52	mm ²



Scale 1:1.09

Dimensions in << mm >>
Dimensions and Tolerances for Proof Barrels
see Appendix CR 1.

Notes: 1) Check for safety reasons
3) Headspace on Shoulder
* Basic dimensions