

C.I.P.**6,8 Western**

TAB.

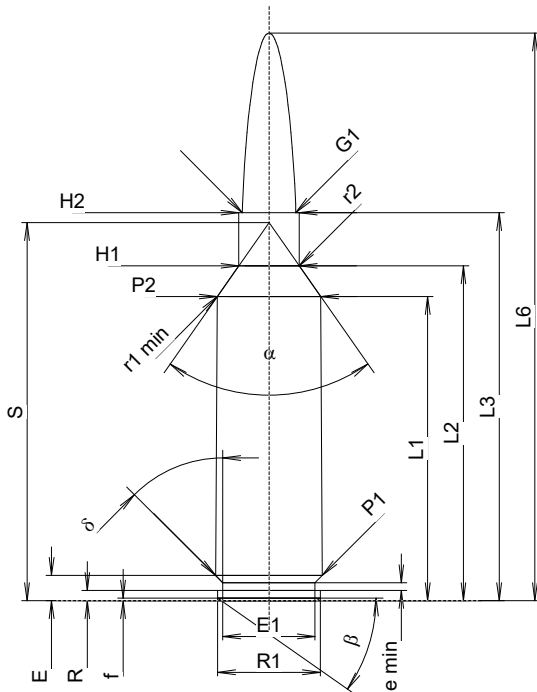
I

Date

22-11-08

Pays d'origine: US

Révision

**CARTOUCHE MAXI****Longueurs**

L1 ¹⁾	=	40.22	-0.20
L2 ¹⁾	=	44.29	-0.20
L3 ¹⁾	=	51.31	
L4	=		
L5	=		
L6	=	75.06	

Culot

R	=	1.37	
R1	=	13.59	
R3	=		
E	=	3.35	
E1	=	12.19	
e min	=	1.02	
delta	=	45°	
f	=	0.35	
beta	=	35°	

Chambre à poudre

P1	=	14.12	
P2 ¹⁾ *	=	13.67	-0.20

Cône de raccordement

alpha *	=	70°	
S *	=	49.99	
r1 min	=	1.27	
r2	=	2.54	

Collet

H1 *	=	7.98	
H2 ¹⁾	=	7.98	

Projectile

G1 ¹⁾	=	7.06	
G2	=		
F	=		
L3+G ¹⁾	=	54.31	

Pressions (Énergies)**Méthode transducteur**

Pmax	=	4400 bar	
PK	=	5060 bar	
PE	=	5500 bar	
M	=	25.00	
EE	=	5040 Joule	

Autres indications

Fe ¹⁾³⁾	=	0.10	
delta L	=	0.10	

CHAMBRE MINI**Longueurs**

L1	=	40.10	
L2	=	44.15	
L3 ¹⁾	=	51.56	

Cuvette

R	=		
R1	=	14.19	
R2	=		
R3	=		
r	=		

Chambre à poudre

E	=	3.35	
P1 ¹⁾	=	14.15	
P2 *	=	13.70	

Cône de raccordement

alpha ¹⁾ *	=	70°	
S *	=	49.89	
r1 max	=	1.27	
r2	=	3.05	

Collet

H1 *	=	8.03	
H2 ¹⁾	=	8.00	

Prise de rayures

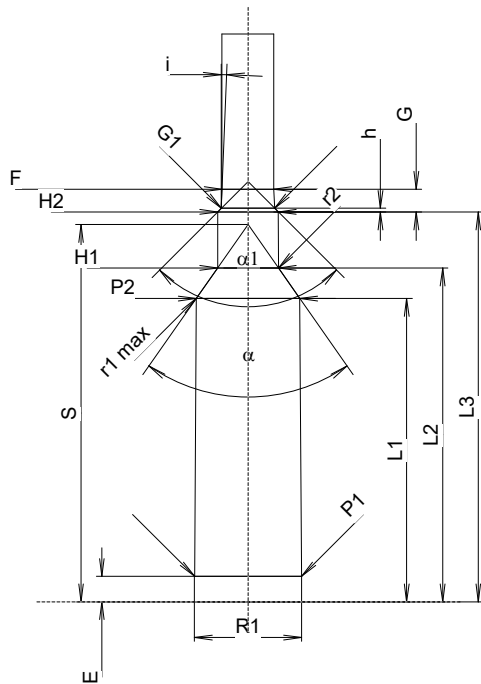
G1 ¹⁾ *	=	7.06	
G ¹⁾	=	3.00	
alpha 1 *	=	90°	
h	=	0.47	
s	=		
i ¹⁾ *	=	1°30'	
w	=		

Canon

F ¹⁾ *	=	6.86	
Z ¹⁾	=	7.04	

Rayures

b	=	2.41	
N	=	6	
u	=	203.20	
Q	=	38.29	mm ²



Échelle 1:1

Dimensions en << mm >>
Dimensions et tolérances pour les canons
d'épreuve: Voyez Annexe CR1.

Notes: 1) A' contrôler pour la sécurité
3) Feuillure sur la cone de raccordement
* Dimensions de base