

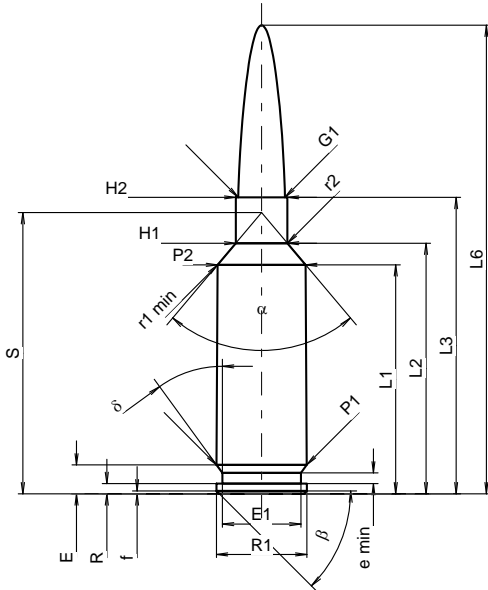
C.I.P.**6 mm BR Farè**

TAB. I

Date 15-05-19

Country of Origin: IT

Revision

**CARTRIDGE MAXI****Lengths**

L1 ¹⁾	=	30.31	-0.20
L2 ¹⁾	=	33.17	-0.20
L3 ¹⁾	=	39.24	
L4	=		
L5	=		
L6	=	62.00	

Case Head

R	=	1.37	
R1	=	11.97	
R3	=		
E	=	3.83	
E1	=	10.39	
e min	=	1.40	
delta	=	36°	
f	=	0.40	
beta	=	45°	

Powder Chamber

P1	=	11.93	
P2 ¹⁾ *	=	11.64	-0.20

Junction Cone

alpha *	=	80°14'19"	
S *	=	37.22	
r1 min	=	0.25	
r2	=	1.50	

Collar

H1 *	=	6.82	
H2 ¹⁾	=	6.82	

Projectile

G1 ¹⁾	=	6.17	
G2	=		
F	=		
L3+G ¹⁾	=	46.03	

Pressures (Energies)**Method Transducer**

Pmax	=	4400 bar	
PK	=	5060 bar	
PE	=	5500 bar	
M	=	17.50	
EE	=	2545 Joule	

Miscellaneous Dimensions

Fe ¹⁾³⁾	=	0.10	
delta L	=		

CHAMBER MINI**Lengths**

L1	=	30.41	
L2	=	33.27	
L3 ¹⁾	=	39.50	

Breech

R	=		
R1	=	12.00	
R2	=		
R3	=		
r	=		

Powder Chamber

E	=	3.85	
P1 ¹⁾	=	11.96	
P2 *	=	11.67	

Junction Cone

alpha ¹⁾ *	=	80°00'14"	
S *	=	37.36	
r1 max	=	0.25	
r2	=	1.50	

Collar

H1 *	=	6.87	
H2 ¹⁾	=	6.87	

Commencement of Rifling

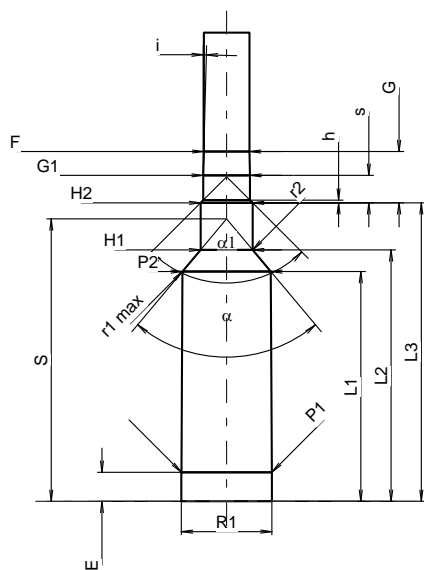
G1 ¹⁾ *	=	6.18	
G ¹⁾	=	6.79	
alpha l	=	90°	
h	=	0.35	
s *	=	3.64	
i ¹⁾ *	=	1°27'17"	
w	=		

Barrel

F ¹⁾ *	=	6.02	
Z ¹⁾	=	6.17	

Grooves

b	=	2.29	
N	=	6	
u *	=	203.20	
Q	=	29.52	mm ²



Scale 1:1

Dimensions in << mm >>
Dimensions and Tolerances for Proof Barrels
see Appendix CR1.

Notes: 1) Check for safety reasons
3) Headspace on Shoule
* Basic dimensions