

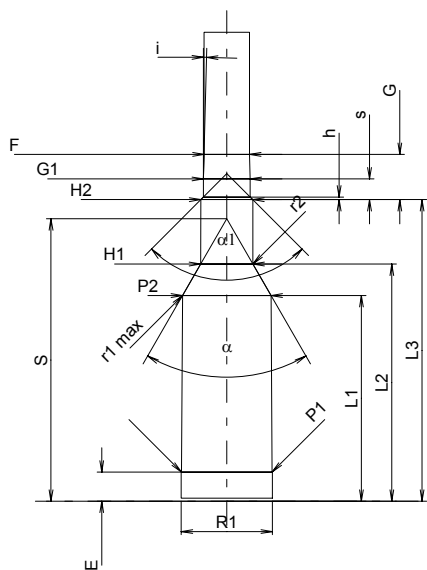
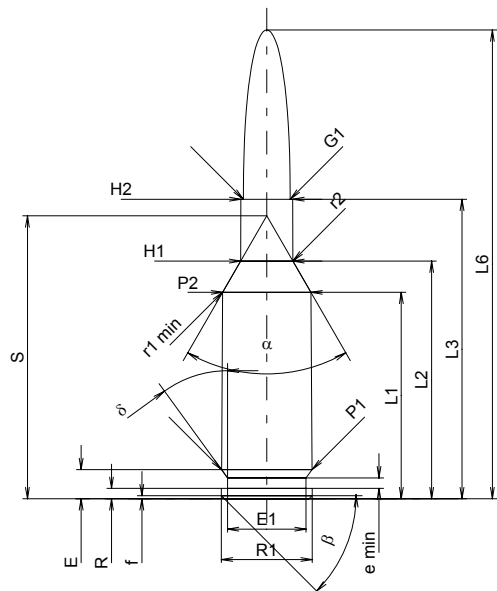
C.I.P.**6mm BR Norma**

TAB. I

Date 95-12-20

Pays d'origine: SE

Révision 02-05-15



Échelle 1:1

Dimensions en << mm >>
Dimensions et tolérances pour les canons
d'épreuve: Voyez Annexe CR 1.

CARTOUCHE MAXI**Longueurs**

L1 ¹⁾	=	27.30	-0.20
L2 ¹⁾	=	31.44	-0.20
L3 ¹⁾	=	39.62	
L4	=		
L5	=		
L6	=	62.00	

Culot

R	=	1.37	
R1	=	12.01	
R3	=		
E	=	3.85	
E1	=	10.39	
e min	=	1.40	
delta	=	36°	
f	=	0.40	
beta	=	45°	

Chambre à poudre

P1	=	11.96	
P2 ^{1)*}	=	11.68	-0.20

Cône de raccordement

alpha*	=	60°	
S*	=	37.42	
r1 min	=	0.64	
r2	=	1.50	

Collet

H1*	=	6.90	
H2 ¹⁾	=	6.87	

Projectile

G1 ¹⁾	=	6.18	
G2	=		
F	=		
L3+G ¹⁾	=	45.61	

Pressions (Énergies)**Méthode transducteur**

Pmax	=	4050 bar	
PK	=	4658 bar	
PE	=	5060 bar	
M	=	17.50	
EE	=	2545 Joule	

Autres indications

Fe ¹⁾	=	0.10	
delta L	=		

CHAMBRE MINI**Longueurs**

L1	=	27.20	
L2	=	31.36	
L3 ¹⁾	=	39.88	

Cuvette

R	=		
R1	=	12.04	
R2	=		
R3	=		
r	=		

Chambre à poudre

E	=	3.85	
P1 ¹⁾	=	11.99	
P2*	=	11.71	

Cône de raccordement

alpha ^{1)*}	=	60°	
S*	=	37.34	
r1 max	=	0.64	
r2	=	1.91	

Collet

H1*	=	6.91	
H2 ¹⁾	=	6.88	

Prise de rayures

G1 ^{1)*}	=	6.19	
G ¹⁾	=	5.98	
alpha1	=	90°	
h	=	0.35	
s*	=	2.74	
i ^{1)*}	=	1°30'	
w	=		

Canon

F ^{1)*}	=	6.02	
Z ¹⁾	=	6.17	

Rayures

b	=	2.29	
N	=	6	
u	=	203.20	
Q	=	29.52	mm ²

Notes: 1) A' contrôler pour la sécurité
* Dimensions de base