

C.I.P.**6 mm Creedmoor**

TAB.

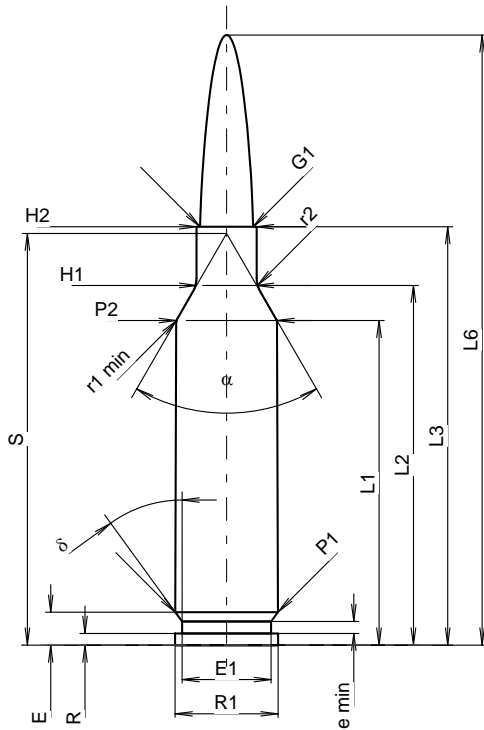
I

Date

19-05-22

Revision

Country of Origin: US

**CARTRIDGE MAXI****Lengths**

| | | | |
|------------------|---|-------|-------|
| L1 ¹⁾ | = | 37.84 | -0.20 |
| L2 ¹⁾ | = | 41.94 | -0.20 |
| L3 ¹⁾ | = | 48.77 | |
| L4 | = | | |
| L5 | = | | |
| L6 | = | 71.12 | |

Case Head

| | | | |
|-------|---|-------|--|
| R | = | 1.37 | |
| R1 | = | 11.99 | |
| R3 | = | | |
| E | = | 3.85 | |
| E1 | = | 10.39 | |
| e min | = | 1.40 | |
| delta | = | 36° | |
| f | = | | |
| beta | = | 35° | |

Powder Chamber

| | | | |
|--------------------|---|-------|-------|
| P1 | = | 11.96 | |
| P2 ¹⁾ * | = | 11.74 | -0.20 |

Junction Cone

| | | | |
|---------|---|-------|--|
| alpha * | = | 60° | |
| S * | = | 48.00 | |
| r1 min | = | 0.76 | |
| r2 | = | 3.18 | |

Collar

| | | | |
|------------------|---|------|--|
| H1 * | = | 7.01 | |
| H2 ¹⁾ | = | 7.01 | |

Projectile

| | | | |
|--------------------|---|-------|--|
| G1 ¹⁾ | = | 6.18 | |
| G2 | = | | |
| F | = | | |
| L3+G ¹⁾ | = | 57.09 | |

Pressures (Energies)**Method Transducer**

| | | | |
|------|---|------------|--|
| Pmax | = | 4350 bar | |
| PK | = | 5003 bar | |
| PE | = | 5438 bar | |
| M | = | 25.00 | |
| EE | = | 3200 Joule | |

Miscellaneous Dimensions

| | | | |
|--------------------|---|------|--|
| Fe ¹⁾³⁾ | = | 0.10 | |
| delta L | = | 0.06 | |

CHAMBER MINI**Lengths**

| | | | |
|------------------|---|-------|--|
| L1 | = | 37.76 | |
| L2 | = | 41.85 | |
| L3 ¹⁾ | = | 49.32 | |

Breech

| | | | |
|----|---|-------|--|
| R | = | | |
| R1 | = | 12.01 | |
| R2 | = | | |
| R3 | = | | |
| r | = | | |

Powder Chamber

| | | | |
|------------------|---|-------|--|
| E | = | 3.85 | |
| P1 ¹⁾ | = | 11.98 | |
| P2 * | = | 11.76 | |

Junction Cone

| | | | |
|-----------------------|---|-------|--|
| alpha ¹⁾ * | = | 60° | |
| S * | = | 47.95 | |
| r1 max | = | 0.76 | |
| r2 | = | 3.18 | |

Collar

| | | | |
|------------------|---|------|--|
| H1 * | = | 7.04 | |
| H2 ¹⁾ | = | 7.04 | |

Commencement of Rifling

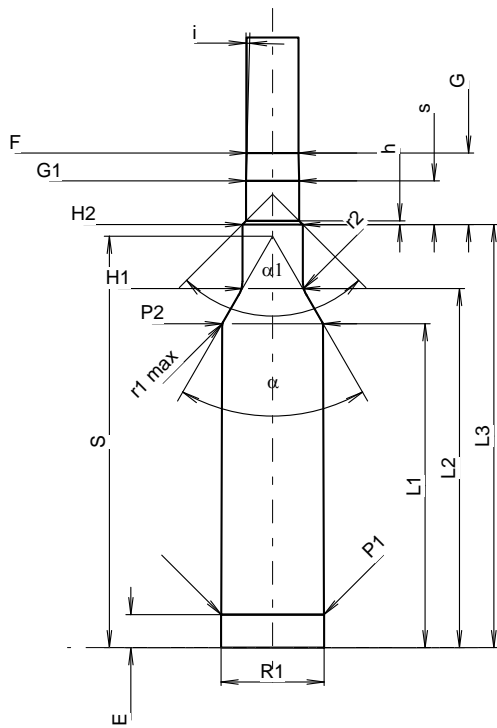
| | | | |
|--------------------|---|-------|--|
| G1 ¹⁾ * | = | 6.19 | |
| G | = | 8.33 | |
| alpha l | = | 90° | |
| h | = | 0.43 | |
| s * | = | 5.08 | |
| i ¹⁾ * | = | 1°30' | |
| w | = | | |

Barrel

| | | | |
|-------------------|---|------|--|
| F ¹⁾ * | = | 6.02 | |
| Z ¹⁾ | = | 6.17 | |

Grooves

| | | | |
|---|---|--------|-----------------|
| b | = | 2.29 | |
| N | = | 6 | |
| u | = | 191.00 | |
| Q | = | 29.52 | mm ² |



Scale 1.13:1

Dimensions in << mm >>
Dimensions and Tolerances for Proof Barrels
see Appendix CR 1.

Notes: 1) Check for safety reasons
3) Headspace on Shoulder
* Basic dimensions