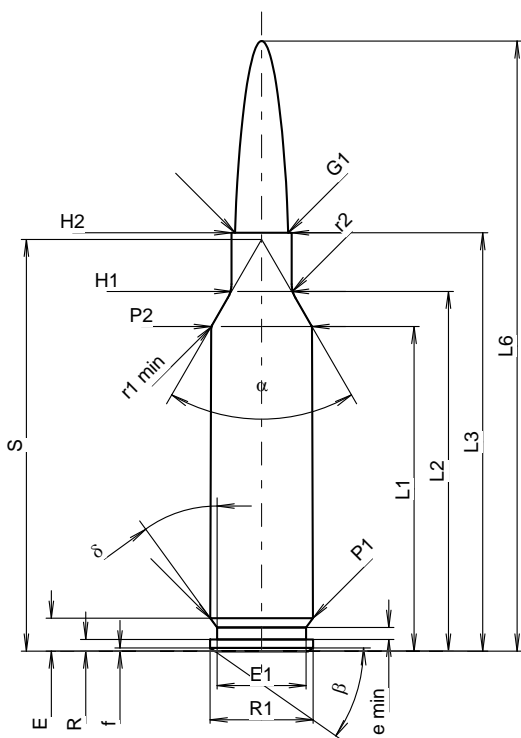


C.I.P.**6 mm Creedmoor**

TAB.	I
Date	19-05-22
Révision	20-04-21

Pays d'origine: US

**CARTOUCHE MAXI****Longueurs**

L1 ¹⁾	=	37.84	-0.20
L2 ¹⁾	=	41.94	-0.20
L3 ¹⁾	=	48.77	
L4	=		
L5	=		
L6	=	71.12	

Culot

R	=	1.37	
R1	=	11.99	
R3	=		
E	=	3.85	
E1	=	10.39	
e min	=	1.40	
delta	=	36°	
f	=	0.38	
beta	=	35°	

Chambre à poudre

P1	=	11.96	
P2 ¹⁾ *	=	11.74	-0.20

Cône de raccordement

alpha [*]	=	60°	
S [*]	=	48.00	
r1 min	=	0.76	
r2	=	3.18	

Collet

H1 [*]	=	7.01	
H2 ¹⁾	=	7.01	

Projectile

G1 ¹⁾	=	6.18	
G2	=		
F	=		
L3+G ¹⁾	=	57.10	

Pressions (Énergies)**Méthode transducteur**

Pmax	=	4350 bar	
PK	=	5003 bar	
PE	=	5438 bar	
M	=	25.00	
EE	=	3200 Joule	

Autres indications

Fe ¹⁾³⁾	=	0.10	
delta L	=	0.06	

CHAMBRE MINI**Longueurs**

L1	=	37.76	
L2	=	41.85	
L3 ¹⁾	=	49.32	

Cuvette

R	=		
R1	=	12.01	
R2	=		
R3	=		
r	=		

Chambre à poudre

E	=	3.85	
P1 ¹⁾	=	11.98	
P2 [*]	=	11.76	

Cône de raccordement

alpha ¹⁾ *	=	60°	
S [*]	=	47.95	
r1 max	=	0.76	
r2	=	3.18	

Collet

H1 [*]	=	7.04	
H2 ¹⁾	=	7.04	

Prise de rayures

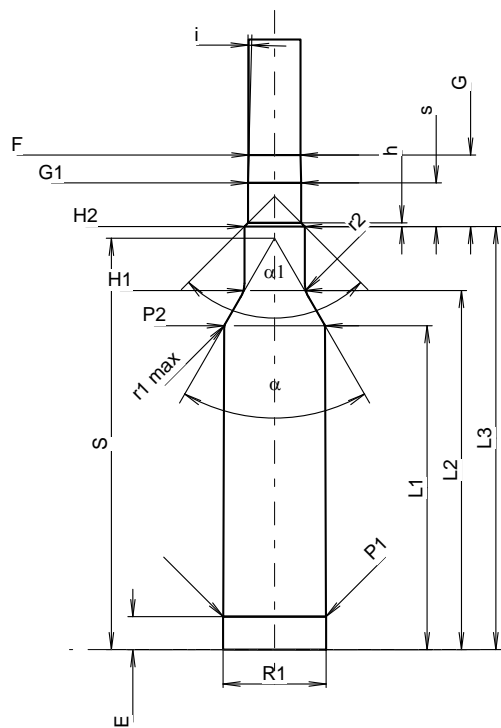
G1 ¹⁾ *	=	6.19	
G	=	8.33	
alpha 1	=	90°	
h	=	0.43	
s [*]	=	5.08	
i ¹⁾ *	=	1°30'	
w	=		

Canon

F ¹⁾ *	=	6.02	
Z ¹⁾	=	6.17	

Rayures

b	=	2.29	
N	=	6	
u	=	191.00	
Q	=	29.52	mm ²



Échelle 1.13:1

Dimensions en << mm >>
Dimensions et tolérances pour les canons
d'épreuve: Voyez Annexe CR 1.

Notes: 1) A' contrôler pour la sécurité
3) Feuillure sur la cone de raccordement
* Dimensions de base