

C.I.P.**6 x 47 ATZL**

TAB.

I

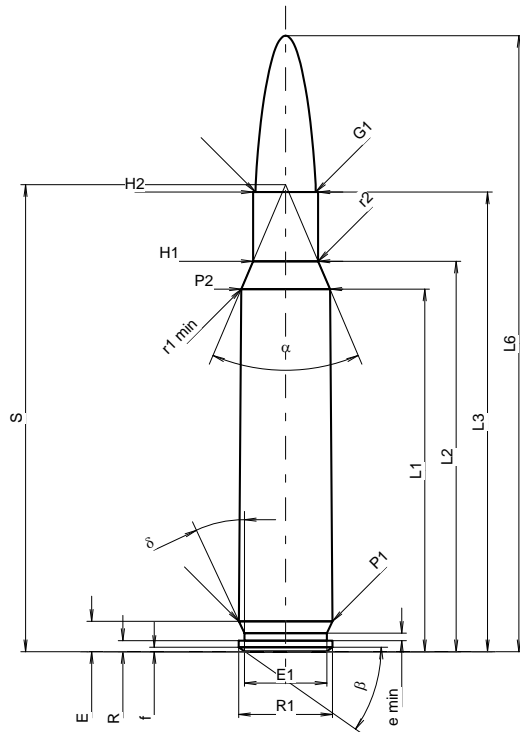
Date

97-11-05

Révision

11-05-25

Pays d'origine: AT

**CARTOUCHE MAXI****Longueurs**

L1 ^{1)*}	=	37.08	-0.20
L2 ^{1)*}	=	39.93	-0.20
L3 ¹⁾	=	47.00	
L4	=		
L5	=		
L6	=	63.00	

Culot

R	=	1.14	
R1	=	9.60	
R3	=		
E	=	3.11	
E1	=	8.43	
e min	=	0.76	
delta	=	25°	
f	=	0.45	
beta	=	35°	

Chambre à poudre

P1	=	9.56	
P2 ^{1)*}	=	9.07	-0.20

Cône de raccordement

alpha *	=	46°00'30"	
S *	=	47.76	
r1 min	=	0.64	
r2	=	2.54	

Collet

H1 *	=	6.65	
H2 ¹⁾	=	6.65	

Projectile

G1 ¹⁾	=	6.17	
G2	=		
F	=		
L3+G ¹⁾	=	52.57	

Pressions (Énergies)**Méthode transducteur**

Pmax	=	4050 bar	
PK	=	4660 bar	
PE	=	5060 bar	
M	=	25.00	
EE	=	2100 Joule	

Autres indications

Fe ¹⁾³⁾	=	0.10	
delta L	=		

CHAMBRE MINI**Longueurs**

L1 *	=	37.07	
L2 *	=	39.95	
L3 ¹⁾	=	47.30	

Cuvette

R	=		
R1	=	9.63	
R2	=		
R3	=		
r	=		

Chambre à poudre

E	=	3.11	
P1 ¹⁾	=	9.59	
P2 *	=	9.09	

Cône de raccordement

alpha ¹⁾	=	45°54'58"	
S	=	47.80	
r1 max	=	0.64	
r2	=	3.18	

Collet

H1 *	=	6.65	
H2 ¹⁾	=	6.65	

Prise de rayures

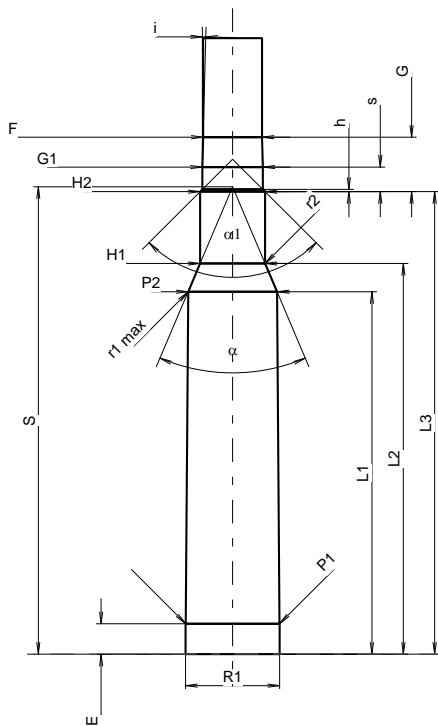
G1 ^{1)*}	=	6.18	
G ^{1)*}	=	5.57	
alpha l	=	90°	
h	=	0.24	
s *	=	2.52	
i ¹⁾	=	1°30'9"	
w	=		

Canon

F ^{1)*}	=	6.02	
Z ¹⁾	=	6.17	

Rayures

b	=	2.29	
N	=	6	
u	=	356.00	
Q	=	29.52	mm ²



Échelle 1.29:1

Dimensions en << mm >>
Dimensions et tolérances pour les canons
d'épreuve: Voyez Annexe CR 1.

Notes: 1) A' contrôler pour la sécurité
3) Feuillure sur la cone de raccordement
* Dimensions de base