

C.I.P.**7-270 Win. Short Mag.**

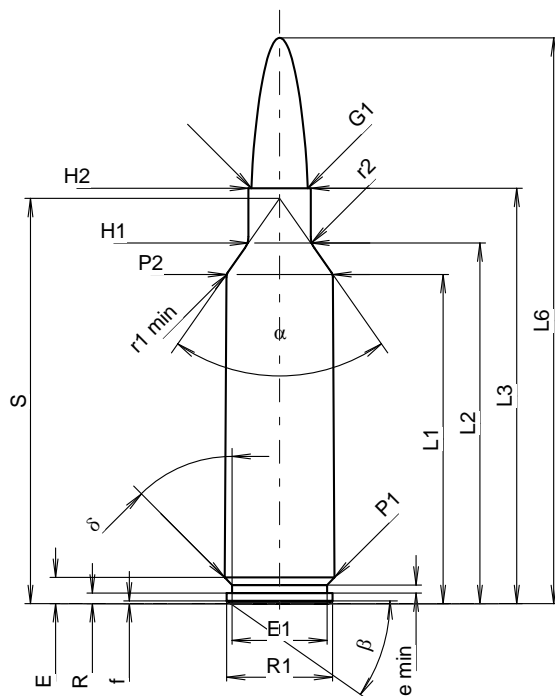
TAB. I

Datum 20-11-10

Revision

Ursprungsland: US

Alternative Namen: 7-270 WSM

**PATRONE MAXI****Längen**

L1 ¹⁾	=	42.27	-0.20
L2 ¹⁾	=	46.31	-0.20
L3 ¹⁾	=	53.34	
L4	=		
L5	=		
L6	=	72.64	

Hülsenboden

R	=	1.37	
R1	=	13.59	
R3	=		
E	=	3.36	
E1	=	12.19	
e min	=	1.02	
delta	=	45°	
f	=	0.36	
beta	=	35°	

Pulverkammer

P1	=	14.12	
P2 ¹⁾ *	=	13.67	-0.20

Schulterkonus

alpha [*]	=	70°	
S [*]	=	52.03	
r1 min	=	1.27	
r2	=	2.54	

Hülsenhals

H1 [*]	=	8.01	
H2 ¹⁾	=	8.01	

Geschoss

G1	=	7.22	
G2	=		
F	=		
L3+G	=	57.23	

Drücke (Energien)**Mech. elektr. Wandler**

Pmax	=	4400 bar	
PK	=	5060 bar	
PE	=	5500 bar	
M	=	25.00	
EE	=	4725 Joule	

Verschiedene Daten

Fe ¹⁾³⁾	=	0.10	
delta L	=	0.11	

PATRONENLAGER MINI**Längen**

L1	=	42.14	
L2	=	46.12	
L3 ¹⁾	=	53.59	

Stoßboden

R	=		
R1	=	14.19	
R2	=		
R3	=		
r	=		

Pulverkammer

E	=	3.36	
P1 ¹⁾	=	14.15	
P2 [*]	=	13.70	

Schulterkonus

alpha ¹⁾ *	=	70°	
S [*]	=	51.93	
r1 max	=	1.27	
r2	=	3.05	

Hülsenhals

H1 [*]	=	8.13	
H2 ¹⁾	=	8.13	

Geschossübergang

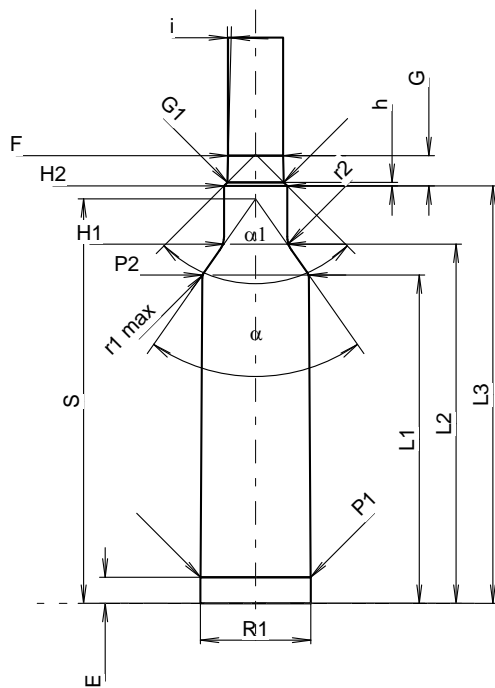
G1 ¹⁾ *	=	7.23	
G ¹⁾	=	3.89	
alpha1	=	90°	
h [*]	=	0.45	
s	=		
i ¹⁾ *	=	1°30'	
w	=		

Lauf

F ¹⁾ *	=	7.05	
Z ¹⁾	=	7.21	

Züge

b	=	4.06	
N	=	4	
u	=	215.90	
Q	=	40.42	mm ²



Maßstab 1.03:1

Maße in << mm >>
Maße und Toleranzen für Messläufe
siehe Anhang CR1.

Bemerkungen: 1) Kontrolle aus Sicherheitsgründen
3) Verschlussabstand an Schulter
* Grundmaße