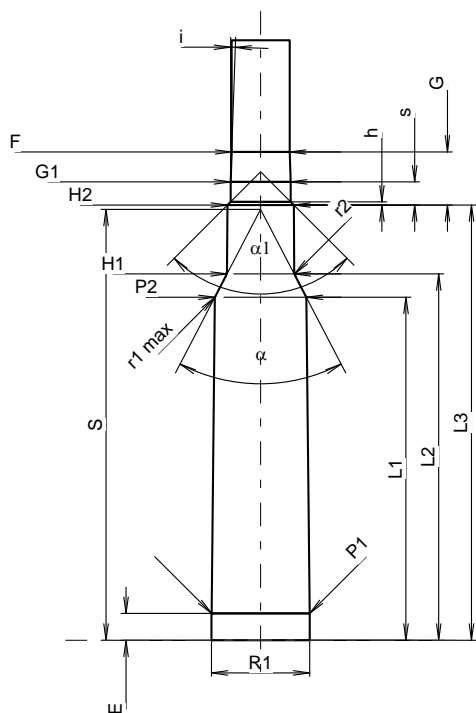
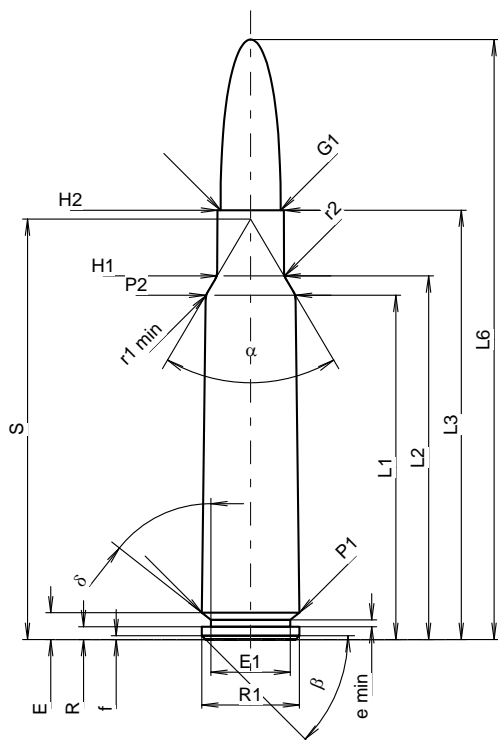


**C.I.P.****7,5 x 55 Suisse**

Country of Origin: CH

<b>TAB.</b>	<b>I</b>
<b>Date</b>	<b>84-06-14</b>
<b>Revision</b>	<b>16-05-18</b>

Alternative Names: 7,5 x 55 Swiss



Scale 1.02:1

Dimensions in << mm >>  
Dimensions and Tolerances for Proof Barrels  
see Appendix CR 1.

**CARTRIDGE MAXI****Lengths**

L1 <sup>1)</sup>	=	44.58	-0.20
L2 <sup>1)</sup>	=	47.08	-0.20
L3 <sup>1)</sup>	=	55.60	
L4	=		
L5	=		
L6	=	77.70	

**Case Head**

R	=	1.65	
R1	=	12.65	
R3	=		
E	=	3.46	
E1	=	10.30	
e min	=	0.89	
delta	=	51°49'16"	
f	=	0.50	
beta	=	45°	

**Powder Chamber**

P1	=	12.64	
P2 <sup>1)</sup> *	=	11.63	-0.20

**Junction Cone**

alpha <sup>*</sup>	=	61°	
S <sup>*</sup>	=	54.45	
r1 min	=	2.00	
r2	=	2.00	

**Collar**

H1 <sup>*</sup>	=	8.68	
H2 <sup>1)</sup>	=	8.58	

**Projectile**

G1 <sup>1)</sup>	=	7.78	
G2	=		
F	=		
L3+G <sup>1)</sup>	=	62.47	

**Pressures (Energies)****Method Transducer**

Pmax	=	3800 bar	
PK	=	4370 bar	
PE	=	4750 bar	
M	=	25.00	
EE	=	3965 Joule	

**Miscellaneous Dimensions**

Fe <sup>1)3)</sup>	=	0.15	
delta L	=		

Notes: 1) Check for safety reasons  
3) Headspace on Shoulder  
\* Basic dimensions

**CHAMBER MINI****Lengths**

L1	=	44.40	
L2	=	47.43	
L3 <sup>1)</sup>	=	56.35	

**Breech**

R	=	1.65	
R1	=	12.72	
R2	=		
R3	=		
r	=		

**Powder Chamber**

E	=	3.46	
P1 <sup>1)</sup>	=	12.69	
P2 <sup>*</sup>	=	11.85	

**Junction Cone**

alpha <sup>1)</sup> *	=	55°	
S <sup>*</sup>	=	55.78	
r1 max	=	0.50	
r2	=	2.00	

**Collar**

H1 <sup>*</sup>	=	8.70	
H2 <sup>1)</sup>	=	8.60	

**Commencement of Rifling**

G1 <sup>1)</sup> *	=	7.78	
G <sup>1)</sup>	=	6.87	
alpha1 <sup>*</sup>	=	90°	
h	=	0.41	
s	=	3.00	
i <sup>1)</sup> *	=	2°	
w	=		

**Barrel**

F <sup>1)</sup> *	=	7.51	
Z <sup>1)</sup>	=	7.77	

**Grooves**

b	=	3.75	
N	=	4	
u	=	270.00	
Q	=	46.33	mm <sup>2</sup>