

C.I.P.

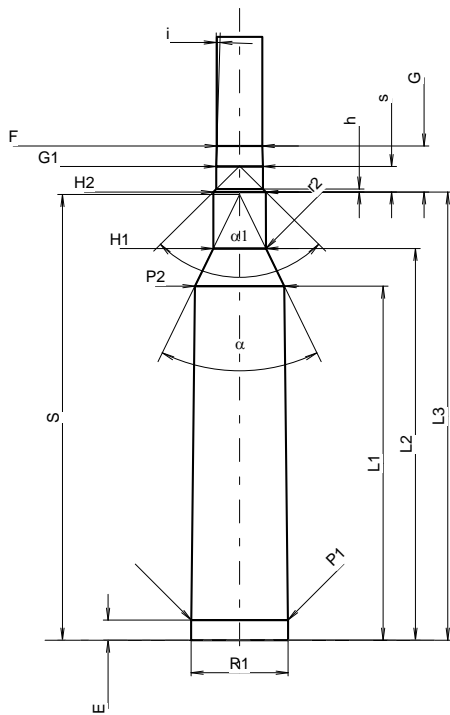
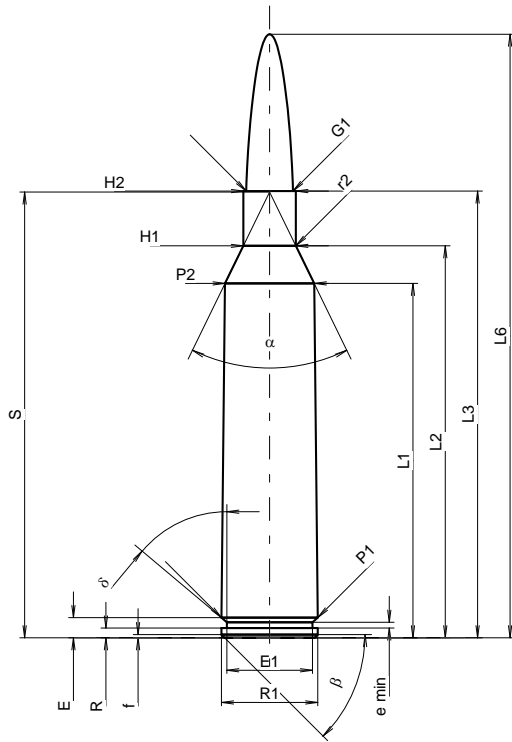
7 mm KM

Country of Origin: DE

TAB. I

Date 99-09-01

Revision 11-05-25



Scale 1:1.17

Dimensions in << mm >>
Dimensions and Tolerances for Proof Barrels
see Appendix CR 1.

CARTRIDGE MAXI

Lengths

L1 ¹⁾ *	=	54.90	-0.20
L2 ¹⁾ *	=	60.72	-0.20
L3 ¹⁾	=	69.20	
L4	=		
L5	=		
L6	=	93.50	

Case Head

R	=	1.52	
R1	=	14.93	
R3	=		
E	=	3.12	
E1	=	13.24	
e min	=	0.90	
delta	=	50°	
f	=	0.50	
beta	=	45°	

Powder Chamber

P1	=	14.91	
P2 ¹⁾ *	=	13.82	-0.20

Junction Cone

alpha	=	52°01'19"	
S	=	69.05	
r1 min	=		
r2	=	2.00	

Collar

H1 *	=	8.14	
H2 ¹⁾	=	8.12	

Projectile

G1 ¹⁾	=	7.23	
G2	=		
F	=		
L3+G ¹⁾	=	76.32	

Pressures (Energies)

Method Transducer

Pmax	=	4400 bar	
PK	=	5060 bar	
PE	=	5500 bar	
M	=	25.00	
EE	=	5670 Joule	

Miscellaneous Dimensions

Fe ¹⁾³⁾	=	0.10	
delta L	=		

Notes: 1) Check for safety reasons
3) Headspace on Shoulder
* Basic dimensions

CHAMBER MINI

Lengths

L1 *	=	54.87	
L2 *	=	60.70	
L3 ¹⁾	=	69.45	

Breech

R	=		
R1	=	15.03	
R2	=		
R3	=		
r	=		

Powder Chamber

E	=	3.12	
P1 ¹⁾	=	14.96	
P2 *	=	13.85	

Junction Cone

alpha ¹⁾	=	52°01'27"	
S	=	69.06	
r1 max	=		
r2	=	2.50	

Collar

H1 *	=	8.16	
H2 ¹⁾	=	8.14	

Commencement of Rifling

G1 ¹⁾ *	=	7.23	
G ¹⁾ *	=	7.12	
alpha1	=	90°37'59"	
h	=	0.45	
s *	=	3.95	
i ¹⁾	=	1°43'	
w	=		

Barrel

F ¹⁾ *	=	7.04	
Z ¹⁾	=	7.21	

Grooves

b	=	2.79	
N	=	6	
u	=	216.00	
Q	=	40.39	mm ²