

C.I.P.**7 mm Precision Rifle Cartridge**

TAB.

I

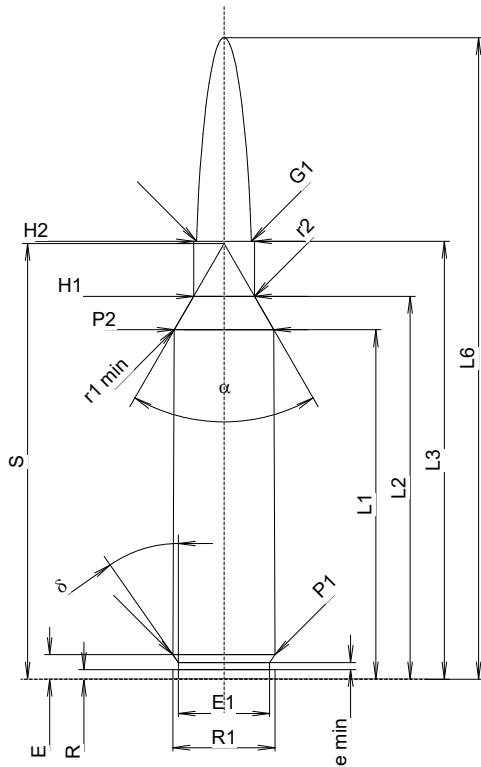
Datum

23-05-09

Ursprungsland: US

Revision

Alternative Namen: 7 mm PRC

**PATRONE MAXI****Längen**

L1 ¹⁾ *	=	46.21	-0.20
L2 ¹⁾ *	=	50.63	-0.20
L3 ¹⁾	=	57.91	
L4	=		
L5	=		
L6	=	84.84	

Hülsenboden

R	=	1.27	
R1	=	13.51	
R3	=		
E	=	3.24	
E1	=	12.07	
e min	=	0.94	
delta	=	35°	
f	=		
beta	=	35°	

Pulverkammer

P1	=	13.51	
P2 ¹⁾ *	=	13.15	-0.20

Schulterkonus

alpha	=	60°	
S	=	57.61	
r1 min	=	0.76	
r2	=	3.18	

Hülshals

H1 *	=	8.05	
H2 ¹⁾	=	8.05	

Geschoss

G1 ¹⁾	=	7.22	
G2	=		
F	=		
L3+G ¹⁾	=	67.94	

Drücke (Energien)**Mech. elektr. Wandler**

Pmax	=	4400 bar	
PK	=	5060 bar	
PE	=	5500 bar	
M	=	25.00	
EE	=	4950 Joule	

Verschiedene Daten

Fe	=	0.10	
delta L	=	0.09	

PATRONENLAGER MINI**Längen**

L1 *	=	46.09	
L2 *	=	50.49	
L3 ¹⁾	=	58.17	

Stoßboden

R	=		
R1	=	13.58	
R2	=		
R3	=		
r	=		

Pulverkammer

E	=	3.24	
P1 ¹⁾	=	13.55	
P2 *	=	13.18	

Schulterkonus

alpha ¹⁾	=	60°	
S *	=	57.51	
r1 max	=	0.76	
r2	=	3.18	

Hülshals

H1 *	=	8.10	
H2 ¹⁾	=	8.08	

Geschossübergang

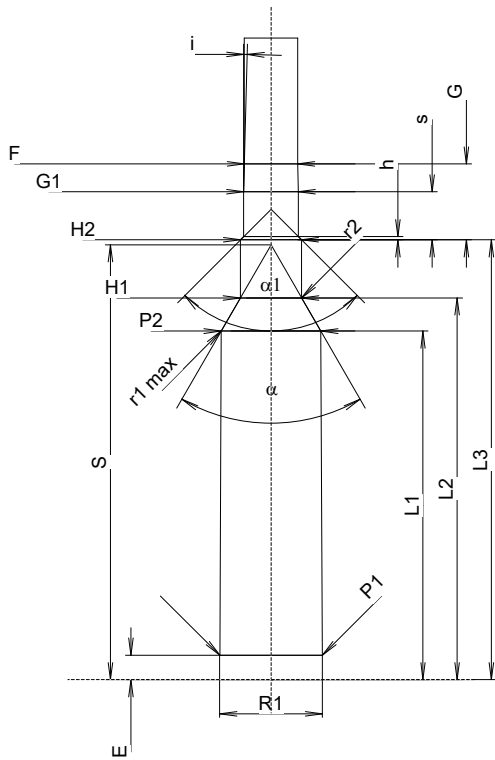
G1 ¹⁾ *	=	7.23	
G ¹⁾	=	10.03	
alpha1 *	=	90°	
h	=	0.43	
s	=	6.35	
i ¹⁾ *	=	1°30'	
w	=		

Lauf

F ¹⁾ *	=	7.04	
Z ¹⁾	=	7.21	

Züge

b	=	2.79	
N	=	6	
u	=	203.20	
Q	=	40.39	mm ²



Maßstab 1:1

Maße in << mm >>
Maße und Toleranzen für Messläufe
siehe Anhang CR1.

Bemerkungen: 1) Kontrolle aus Sicherheitsgründen
* Grundmaße