

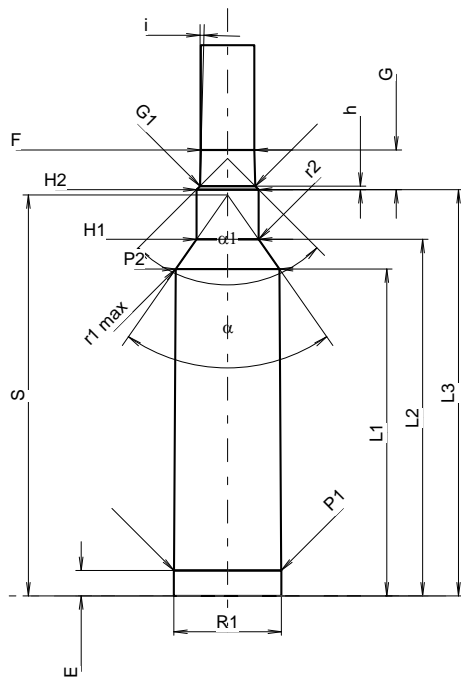
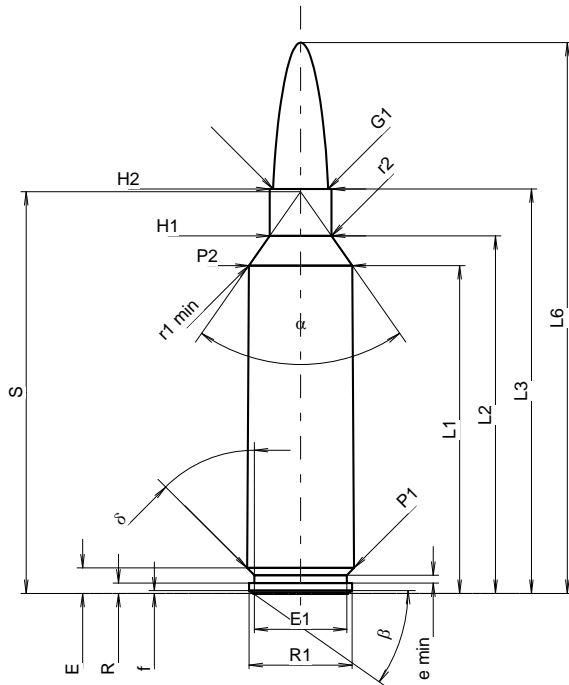
C.I.P.**7 mm Win. Short Mag.**

TAB. I

Datum 02-01-22

Revision 11-05-25

Ursprungsland: US



Maßstab 1.0:1

Maße in << mm >>
Maße und Toleranzen für Messläufe
siehe Anhang CR 1.

PATRONE MAXI**Längen**

L1 ¹⁾	=	43.23	-0.20
L2 ¹⁾	=	47.17	-0.20
L3 ¹⁾	=	53.34	
L4	=		
L5	=		
L6	=	72.64	

Hülsenboden

R	=	1.37	
R1	=	13.59	
R3	=		
E	=	3.35	
E1	=	12.19	
e min	=	1.02	
delta	=	45°	
f	=	0.36	
beta	=	35°	

Pulverkammer

P1	=	14.12	
P2 ¹⁾ *	=	13.66	-0.20

Schulterkonus

alpha *	=	70°	
S *	=	52.99	
r1 min	=	1.27	
r2	=	2.54	

Hülsenhals

H1 *	=	8.15	
H2 ¹⁾	=	8.15	

Geschoss

G1 ¹⁾	=	7.23	
G2	=		
F	=		
L3+G ¹⁾	=	58.56	

Drücke (Energien)**Mech. elektr. Wandler**

Pmax	=	4400 bar	
PK	=	5060 bar	
PE	=	5500 bar	
M	=	25.00	
EE	=	4830 Joule	

Verschiedene Daten

Fe ¹⁾³⁾	=	0.10	
delta L	=	0.10	

PATRONENLAGER MINI**Längen**

L1	=	43.10	
L2	=	47.02	
L3 ¹⁾	=	53.59	

Stoßboden

R	=		
R1	=	14.19	
R2	=		
R3	=		
r	=		

Pulverkammer

E	=	3.35	
P1 ¹⁾	=	14.15	
P2 *	=	13.69	

Schulterkonus

alpha ¹⁾ *	=	70°	
S *	=	52.88	
r1 max	=	1.27	
r2	=	3.05	

Hülsenhals

H1 *	=	8.20	
H2 ¹⁾	=	8.18	

Geschossübergang

G1 ¹⁾ *	=	7.29	
G ¹⁾	=	5.22	
alpha l	=	90°	
h	=	0.45	
s	=		
i ¹⁾ *	=	1°30'	
w	=		

Lauf

F ¹⁾ *	=	7.04	
Z ¹⁾	=	7.21	

Züge

b	=	2.79	
N	=	6	
u	=	241.00	
Q	=	40.39	mm ²

Bemerkungen: 1) Kontrolle aus Sicherheitsgründen
3) Verschlussabstand an Schulter
* Grundmaße