

# C.I.P.

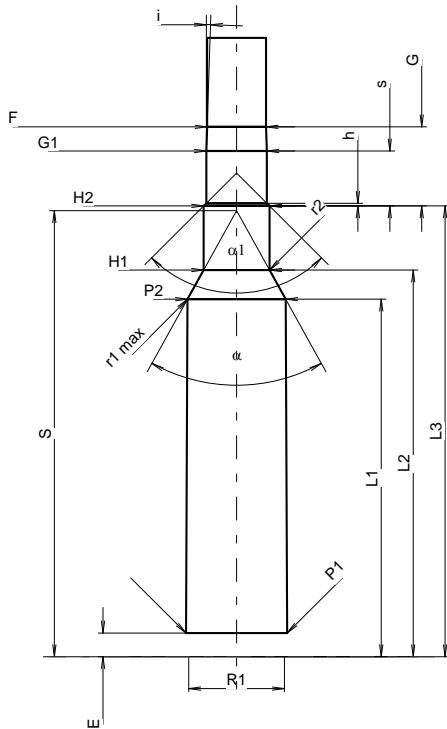
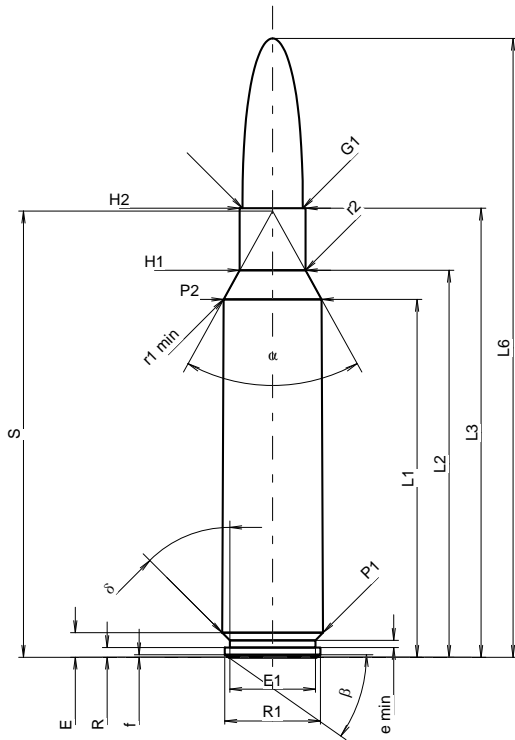
## 8,5 mm Messner Mag.

Country of Origin: FR

TAB. I

Date 13-05-22

Revision



Scale 1:1.07

Dimensions in << mm >>  
Dimensions and Tolerances for Proof Barrels  
see Appendix CR 1.

### CARTRIDGE MAXI

#### Lengths

L1 <sup>1)</sup>	=	50.88	-0.20
L2 <sup>1)</sup>	=	55.01	-0.20
L3 <sup>1)</sup>	=	63.85	
L4	=		
L5	=		
L6	=	88.00	

#### Case Head

R	=	1.38	
R1	=	13.60	
R3	=		
E	=	3.48	
E1	=	12.19	
e min	=	1.02	
delta	=	45°	
f	=	0.36	
beta	=	35°	

#### Powder Chamber

P1	=	14.35	
P2 <sup>1)</sup> *	=	13.93	-0.20

#### Junction Cone

alpha *	=	58°	
S *	=	63.44	
r1 min	=	0.66	
r2	=	1.85	

#### Collar

H1 *	=	9.35	
H2 <sup>1)</sup>	=	9.35	

#### Projectile

G1 <sup>1)</sup>	=	8.59	
G2	=		
F	=		
L3+G <sup>1)</sup>	=	75.10	

#### Pressures (Energies)

#### Method Transducer

Pmax	=	4400 bar	
PK	=	5060 bar	
PE	=	5500 bar	
M	=	25.00	
EE	=	6400 Joule	

#### Miscellaneous Dimensions

Fe <sup>1)3)</sup>	=	0.10	
delta L	=		

Notes: 1) Check for safety reasons  
3) Headspace on Shoulder  
\* Basic dimensions

### CHAMBER MINI

#### Lengths

L1	=	50.85	
L2	=	54.98	
L3 <sup>1)</sup>	=	64.10	

#### Breech

R	=	1.38	
R1	=	13.62	
R2	=		
R3	=		
r	=		

#### Powder Chamber

E	=	3.35	
P1 <sup>1)</sup>	=	14.38	
P2 *	=	13.96	

#### Junction Cone

alpha <sup>1)</sup> *	=	58°	
S *	=	63.44	
r1 max	=	0.55	
r2	=	2.22	

#### Collar

H1 *	=	9.38	
H2 <sup>1)</sup>	=	9.38	

#### Commencement of Rifling

G1 <sup>1)</sup>	=	8.61	
G <sup>1)</sup> *	=	11.25	
alpha1	=	90°	
h	=	0.39	
s *	=	7.81	
i <sup>1)</sup> *	=	1°54'53"	
w	=		

#### Barrel

F <sup>1)</sup> *	=	8.38	
Z <sup>1)</sup>	=	8.59	

#### Grooves

b	=	2.79	
N	=	6	
u	=	254.00	
Q	=	56.95	mm <sup>2</sup>