

**C.I.P.****8,5 mm Messner Mag.**

TAB.

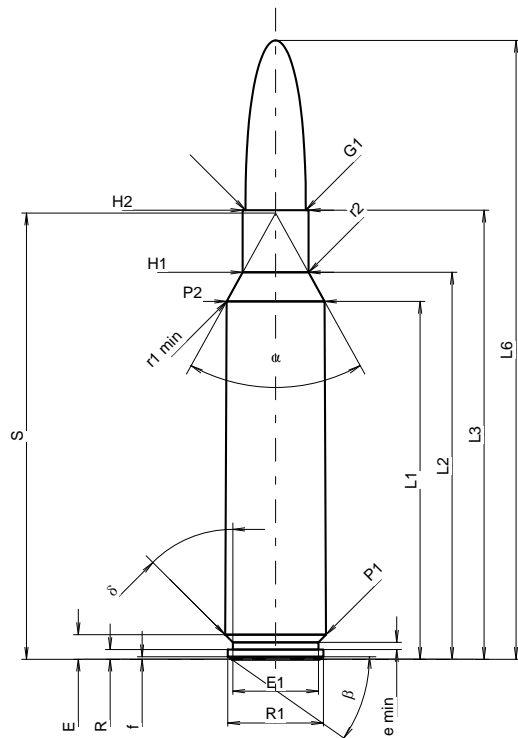
I

Date

13-05-22

Pays d'origine: FR

Révision

**CARTOUCHE MAXI****Longueurs**

|                  |   |       |       |
|------------------|---|-------|-------|
| L1 <sup>1)</sup> | = | 50.88 | -0.20 |
| L2 <sup>1)</sup> | = | 55.01 | -0.20 |
| L3 <sup>1)</sup> | = | 63.85 |       |
| L4               | = |       |       |
| L5               | = |       |       |
| L6               | = | 88.00 |       |

**Culot**

|       |   |       |  |
|-------|---|-------|--|
| R     | = | 1.38  |  |
| R1    | = | 13.60 |  |
| R3    | = |       |  |
| E     | = | 3.48  |  |
| E1    | = | 12.19 |  |
| e min | = | 1.02  |  |
| delta | = | 45°   |  |
| f     | = | 0.36  |  |
| beta  | = | 35°   |  |

**Chambre à poudre**

|                    |   |       |       |
|--------------------|---|-------|-------|
| P1                 | = | 14.35 |       |
| P2 <sup>1)</sup> * | = | 13.93 | -0.20 |

**Cône de raccordement**

|         |   |       |  |
|---------|---|-------|--|
| alpha * | = | 58°   |  |
| S *     | = | 63.44 |  |
| r1 min  | = | 0.66  |  |
| r2      | = | 1.85  |  |

**Collet**

|                  |   |      |  |
|------------------|---|------|--|
| H1 *             | = | 9.35 |  |
| H2 <sup>1)</sup> | = | 9.35 |  |

**Projectile**

|                    |   |       |  |
|--------------------|---|-------|--|
| G1 <sup>1)</sup>   | = | 8.59  |  |
| G2                 | = |       |  |
| F                  | = |       |  |
| L3+G <sup>1)</sup> | = | 75.10 |  |

**Pressions (Énergies)****Méthode transducteur**

|      |   |            |  |
|------|---|------------|--|
| Pmax | = | 4400 bar   |  |
| PK   | = | 5060 bar   |  |
| PE   | = | 5500 bar   |  |
| M    | = | 25.00      |  |
| EE   | = | 6400 Joule |  |

**Autres indications**

|                    |   |      |  |
|--------------------|---|------|--|
| Fe <sup>1)3)</sup> | = | 0.10 |  |
| delta L            | = |      |  |

**CHAMBRE MINI****Longueurs**

|                  |   |       |  |
|------------------|---|-------|--|
| L1               | = | 50.85 |  |
| L2               | = | 54.98 |  |
| L3 <sup>1)</sup> | = | 64.10 |  |

**Cuvette**

|    |   |       |  |
|----|---|-------|--|
| R  | = | 1.38  |  |
| R1 | = | 13.62 |  |
| R2 | = |       |  |
| R3 | = |       |  |
| r  | = |       |  |

**Chambre à poudre**

|                  |   |       |  |
|------------------|---|-------|--|
| E                | = | 3.35  |  |
| P1 <sup>1)</sup> | = | 14.38 |  |
| P2 *             | = | 13.96 |  |

**Cône de raccordement**

|                       |   |       |  |
|-----------------------|---|-------|--|
| alpha <sup>1)</sup> * | = | 58°   |  |
| S *                   | = | 63.44 |  |
| r1 max                | = | 0.55  |  |
| r2                    | = | 2.22  |  |

**Collet**

|                  |   |      |  |
|------------------|---|------|--|
| H1 *             | = | 9.38 |  |
| H2 <sup>1)</sup> | = | 9.38 |  |

**Prise de rayures**

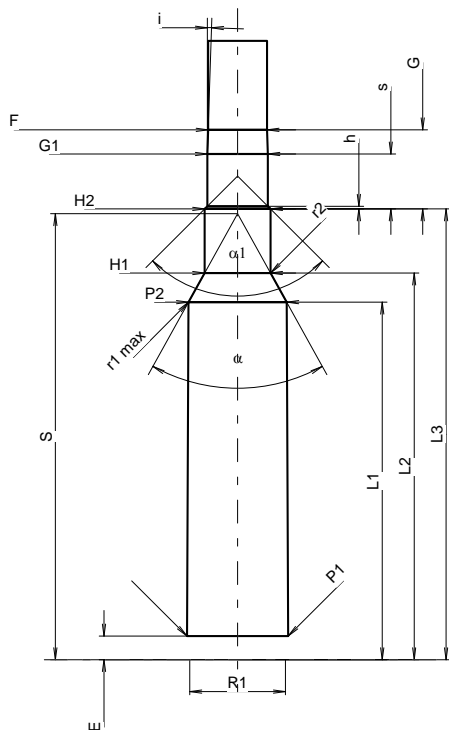
|                   |   |          |  |
|-------------------|---|----------|--|
| G1 <sup>1)</sup>  | = | 8.61     |  |
| G <sup>1)</sup> * | = | 11.25    |  |
| alpha l           | = | 90°      |  |
| h                 | = | 0.39     |  |
| s *               | = | 7.81     |  |
| i <sup>1)</sup> * | = | 1°54'53" |  |
| w                 | = |          |  |

**Canon**

|                   |   |      |  |
|-------------------|---|------|--|
| F <sup>1)</sup> * | = | 8.38 |  |
| Z <sup>1)</sup>   | = | 8.59 |  |

**Rayures**

|   |   |        |                 |
|---|---|--------|-----------------|
| b | = | 2.79   |                 |
| N | = | 6      |                 |
| u | = | 254.00 |                 |
| Q | = | 56.95  | mm <sup>2</sup> |



Échelle 1:1.07

Dimensions en << mm >>  
Dimensions et tolérances pour les canons  
d'épreuve: Voyez Annexe CR 1.

Notes: 1) A' contrôler pour la sécurité  
3) Feuillure sur la cone de raccordement  
\* Dimensions de base