

C.I.P.**8,5 x 63**

TAB.

I

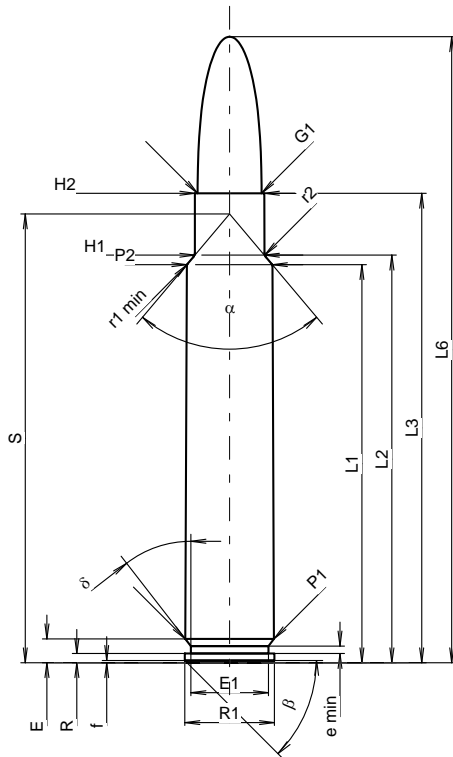
Datum

92-02-27

Revision

21-04-07

Ursprungsland: DE

**PATRONE MAXI****Längen**

L1 ¹⁾ *	=	53.42	-0.20
L2 ¹⁾ *	=	54.69	-0.20
L3 ¹⁾	=	63.00	
L4	=		
L5	=		
L6	=	84.00	

Hülsenboden

R	=	1.24	
R1	=	12.01	
R3	=		
E	=	3.20	
E1	=	10.40	
e min	=	1.00	
δ	=	37°48'36"	
f	=	0.30	
β	=	45°	

Pulverkammer

P1	=	11.89	
P2 ¹⁾ *	=	11.47	-0.20

Schulterkonus

α	=	80°13'47"	
S	=	60.23	
r1 min	=	0.50	
r2	=	1.00	

Hülsenhals

H1 *	=	9.33	
H2 ¹⁾	=	9.32	

Geschoss

G1 ¹⁾	=	8.59	
G2	=		
F	=		
L3+G ¹⁾	=	72.00	

Drücke (Energien)**Mech. elektr. Wandler**

Pmax	=	4300 bar	
PK	=	4945 bar	
PE	=	5375 bar	
M	=	25.00	
EE	=	5540 Joule	

Verschiedene Daten

Fe ¹⁾³⁾	=	0.10	
delta L	=		

PATRONENLAGER MINI**Längen**

L1 *	=	53.40	
L2 *	=	54.67	
L3 ¹⁾	=	63.55	

Stoßboden

R	=		
R1	=	12.04	
R2	=		
R3	=		
r	=		

Pulverkammer

E	=	3.20	
P1 ¹⁾	=	11.92	
P2 *	=	11.50	

Schulterkonus

α ¹⁾	=	80°13'47"	
S	=	60.22	
r1 max	=	0.50	
r2	=	1.25	

Hülsenhals

H1 *	=	9.36	
H2 ¹⁾	=	9.35	

Geschossübergang

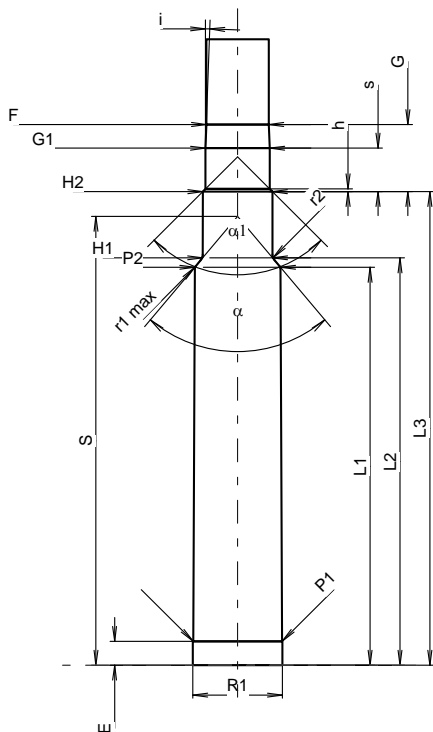
G1 ¹⁾ *	=	8.61	
G ¹⁾ *	=	9.00	
α1	=	90°	
h	=	0.37	
s *	=	5.83	
i ¹⁾	=	2°04'40"	
w	=		

Lauf

F ¹⁾ *	=	8.38	
Z ¹⁾	=	8.59	

Züge

b	=	2.79	
N	=	6	
u	=	254.00	
Q	=	56.95	mm ²



Maßstab 1:1.01

Maße in << mm >>
Maße und Toleranzen für Messläufe
siehe Anhang CR 1.

Bemerkungen: 1) Kontrolle aus Sicherheitsgründen
3) Verschlussabstand an Schulter
* Grundmaße