

# C.I.P.

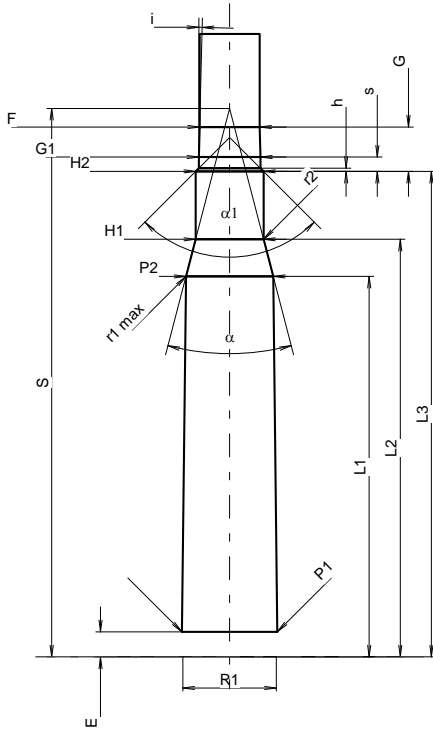
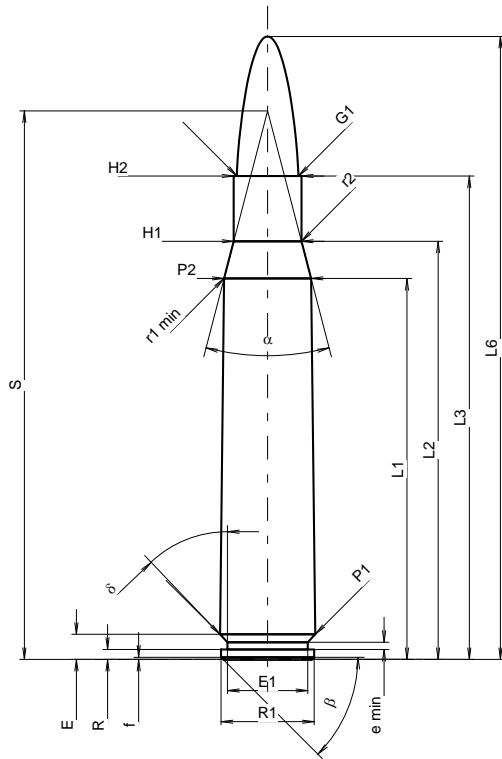
## 8,5 x 68 Fanzoj

Country of Origin: DE

TAB. I

Date 12-05-30

Revision



Scale 1:1.06

Dimensions in << mm >>  
Dimensions and Tolerances for Proof Barrels  
see Appendix CR1.

### CARTRIDGE MAXI

#### Lengths

L1 <sup>1)</sup>	=	53.20	-0.20
L2 <sup>1)</sup>	=	58.40	-0.20
L3 <sup>1)</sup>	=	67.50	
L4	=		
L5	=		
L6	=	87.00	

#### Case Head

R	=	1.40	
R1	=	13.00	
R3	=		
E	=	3.50	
E1	=	11.20	
e min	=	1.00	
delta	=	43°42'	
f	=	0.30	
beta	=	45°	

#### Powder Chamber

P1	=	13.30	
P2 <sup>1)</sup> *	=	12.15	-0.20

#### Junction Cone

alpha *	=	29°06'26"	
S *	=	76.60	
r1 min	=	0.50	
r2	=	3.00	

#### Collar

H1 *	=	9.45	
H2 <sup>1)</sup>	=	9.45	

#### Projectile

G1 <sup>1)</sup>	=	8.59	
G2	=		
F	=		
L3+G <sup>1)</sup>	=	73.70	

#### Pressures (Energies)

##### Method Transducer

Pmax	=	4400 bar	
PK	=	5060 bar	
PE	=	5500 bar	
M	=	25.00	
EE	=	5975 Joule	

#### Miscellaneous Dimensions

Fe <sup>1)3)</sup>	=	0.10	
delta L	=		

### CHAMBER MINI

#### Lengths

L1	=	53.14	
L2	=	58.32	
L3 <sup>1)</sup>	=	67.80	

#### Breech

R	=	1.40	
R1	=	13.05	
R2	=		
R3	=		
r	=		

#### Powder Chamber

E	=	3.50	
P1 <sup>1)</sup>	=	13.33	
P2 *	=	12.18	

#### Junction Cone

alpha <sup>1)</sup> *	=	29°06'40"	
S *	=	76.59	
r1 max	=	0.50	
r2	=	3.00	

#### Collar

H1 *	=	9.49	
H2 <sup>1)</sup>	=	9.49	

#### Commencement of Rifling

G1 <sup>1)</sup> *	=	8.60	
G <sup>1)</sup>	=	6.20	
alpha1	=	90°	
h	=	0.45	
s *	=	2.00	
i <sup>1)</sup> *	=	1°30'	
w	=		

#### Barrel

F <sup>1)</sup> *	=	8.38	
Z <sup>1)</sup>	=	8.59	

#### Grooves

b	=	2.79	
N	=	6	
u	=	254.00	
Q	=	56.95	mm <sup>2</sup>

Notes: 1) Check for safety reasons  
3) Headspace on Shoulder  
\* Basic dimensions