

**C.I.P.****8 x 57 I**

TAB.

I

Datum

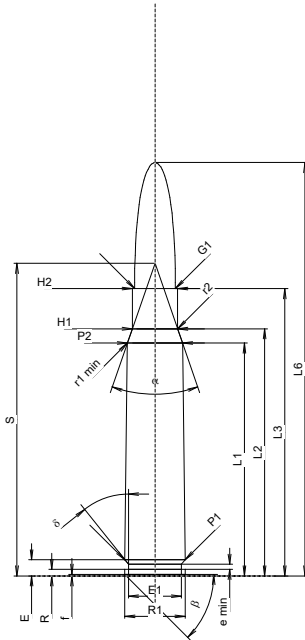
84-06-14

Revision

25-05-13

Ursprungsland: DE

Alternative Namen: 8 x 57 J

**PATRONE MAXI****Längen**

L1 1)*	=	46.20	-0.20
L2 1)*	=	49.03	-0.20
L3 1)	=	57.00	
L4	=		
L5	=		
L6	=	82.00	

**Hülsenboden**

R	=	1.30	
R1	=	11.95	
R3	=		
E	=	3.20	
E1	=	10.50	
e min	=	1.00	
delta	=	-38.660000°	
f	=	0.30	
beta	=	45°	

**Pulverkammer**

P1	=	11.94	
P2 1)*	=	10.95	-0.20

**Schulterkonus**

alpha	=	38°12'02"	
S	=	62.01	
r1 min	=	0.50	
r2	=	0.50	

**Hülsenhals**

H1 *	=	8.99	
H2 1)	=	8.99	

**Geschoss**

G1 1)	=	8.09	
G2	=		
F	=		
L3+G 1)	=	99.00	

**Drücke (Energien)****Mech. elektr. Wandler**

Pmax	=	3800 bar	
PK	=	4370 bar	
PE	=	4750 bar	
M	=	25.00	
EE	=	3950 Joule	

**Verschiedene Daten**

Fe 1)	=	0.15	
delta L	=		

**PATRONENLAGER MINI****Längen**

L1 *	=	46.16	
L2 *	=	48.98	
L3 1)	=	57.30	

**Stoßboden**

R	=	1.30	
R1	=	12.00	
R2	=		
R3	=		
r	=		

**Pulverkammer**

E	=	3.20	
P1 1)	=	11.97	
P2 *	=	10.98	

**Schulterkonus**

alpha 1)	=	38°19'33"	
S	=	61.96	
r1 max	=	0.50	
r2	=	0.50	

**Hülsenhals**

H1 *	=	9.02	
H2 1)	=	9.01	

**Geschossübergang**

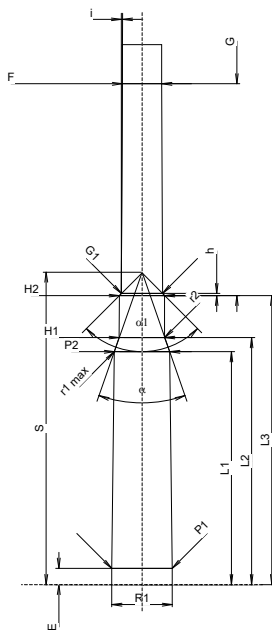
G1 1)*	=	8.15	
G 1)*	=	42.00	
alpha1	=	90°	
h *	=	0.43	
s	=		
i 1)	=	0°14'27"	
w	=		

**Lauf**

F 1)*	=	7.80	
Z 1)	=	8.07	

**Züge**

b	=	4.40	
N	=	4	
u	=	240.00	
Q	=	50.30	mm <sup>2</sup>



Maßstab 1:1.5

Maße in << mm >>  
Maße und Toleranzen für Messläufe  
siehe Anhang CR 1.

Bemerkungen: 1) Kontrolle aus Sicherheitsgründen  
\* Grundmaße