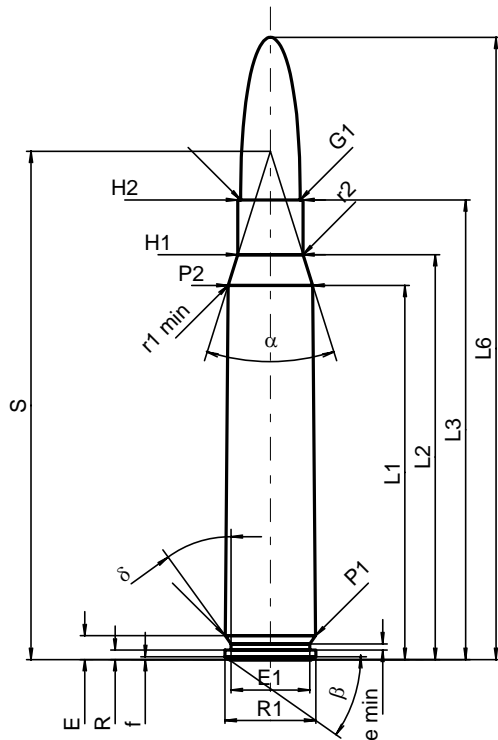


C.I.P.**30-06 Court Cartry**

Ursprungsland: FR

TAB.	I
Datum	95-12-10
Revision	02-05-15

**PATRONE MAXI****Längen**

L1 ^{1)*}	=	49.49	-0.20
L2 ^{1)*}	=	53.56	-0.20
L3 ¹⁾	=	60.80	
L4	=		
L5	=		
L6	=	82.30	

Hülsenboden

R	=	1.24
R1	=	12.01
R3	=	
E	=	3.16
E1	=	10.39
e min	=	0.84
delta	=	36°
f	=	0.38
beta	=	35°

Pulverkammer

P1	=	11.96	
P2 ^{1)*}	=	11.20	-0.20

Schulterkonus

alpha	=	35°02'40"
S	=	67.23
r1 min	=	1.27
r2	=	2.54

Hülsenhals

H1*	=	8.63
H2 ¹⁾	=	8.63

Geschoss

G1 ¹⁾	=	7.85
G2	=	
F	=	
L3+G ¹⁾	=	66.97

Drücke (Energien)**Mech. elektr. Wandler**

Pmax	=	3500 bar
PK	=	4025 bar
PE	=	4375 bar
M	=	25.00
EE	=	3800 Joule

Verschiedene Daten

Fe ¹⁾	=	0.15
delta L	=	0.16

PATRONELAGER MINI**Längen**

L1*	=	49.27
L2*	=	53.36
L3 ¹⁾	=	60.81

Stoßboden

R	=	
R1	=	12.04
R2	=	
R3	=	
r	=	

Pulverkammer

E	=	3.16
P1 ¹⁾	=	11.99
P2*	=	11.24

Schulterkonus

alpha ¹⁾	=	34°30'02"
S	=	67.37
r1 max	=	1.27
r2	=	3.05

Hülsenhals

H1*	=	8.70
H2 ¹⁾	=	8.65

Geschossübergang

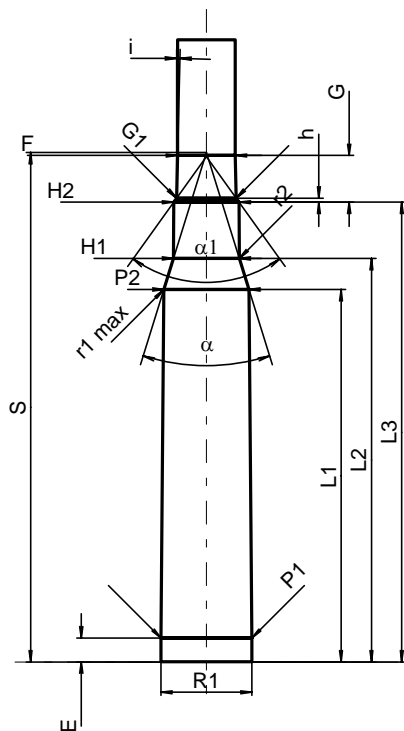
G1 ^{1)*}	=	7.89
G ^{1)*}	=	6.17
alpha1	=	71°16'12"
h*	=	0.53
s	=	
i ¹⁾	=	1°22'13"
w	=	

Lauf

F ^{1)*}	=	7.62
Z ¹⁾	=	7.82

Züge

b	=	4.49
N	=	4
u	=	254.00
Q	=	47.52 mm ²



Maßstab 1:1

Maße in << mm >>
Maße und Toleranzen für Messläufe
siehe Anhang CR 1.

Bemerkungen: 1) Kontrolle aus Sicherheitsgründen
* Grundmaße