

C.I.P.

308 Win.

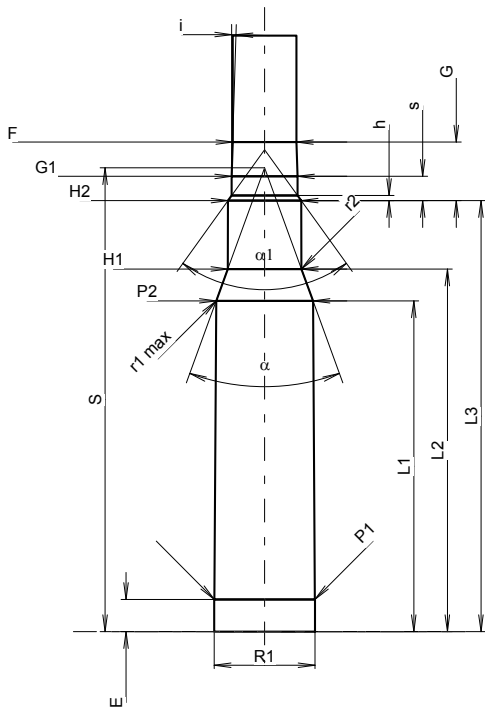
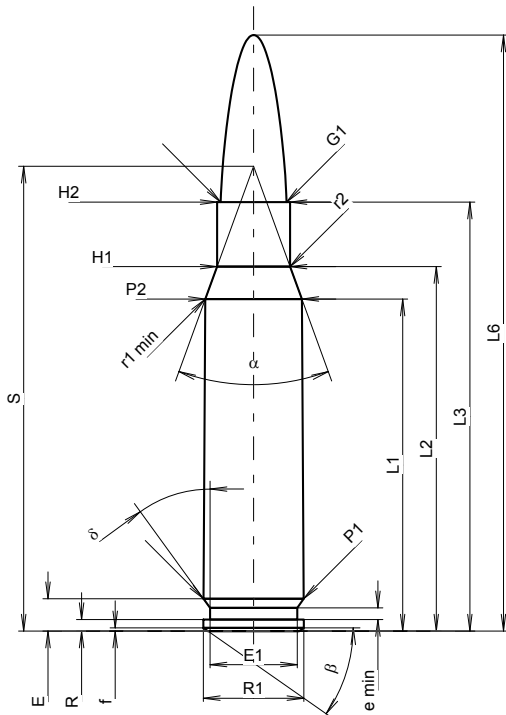
Ursprungsland: US

TAB. I

Datum 84-06-14

Revision 08-09-23

Alternative Namen: 308 Winchester, 7,62 x 51



Maßstab 1.11:1

Maße in << mm >>
Maße und Toleranzen für Messläufe
siehe Anhang CR 1.

PATRONE MAXI**Längen**

L1 ¹⁾	=	39.62	-0.20
L2 ¹⁾	=	43.48	-0.20
L3 ¹⁾	=	51.18	
L4	=		
L5	=		
L6	=	71.12	

Hülsenboden

R	=	1.37	
R1	=	12.01	
R3	=		
E	=	3.85	
E1	=	10.39	
e min	=	1.40	
delta	=	36°	
f	=	0.38	
beta	=	35°	

Pulverkammer

P1	=	11.96	
P2 ¹⁾ *	=	11.53	-0.20

Schulterkonus

alpha [*]	=	40°	
S [*]	=	55.46	
r1 min	=	0.76	
r2	=	3.18	

Hülsenhals

H1 [*]	=	8.72	
H2 ¹⁾	=	8.72	

Geschoss

G1 ¹⁾	=	7.85	
G2	=		
F	=		
L3+G ¹⁾	=	58.16	

Drücke (Energien)**Mech. elektr. Wandler**

Pmax	=	4150 bar	
PK	=	4773 bar	
PE	=	5190 bar	
M	=	25.00	
EE	=	3920 Joule	

Verschiedene Daten

Fe ¹⁾³⁾	=	0.10	
delta L	=	0.10	

PATRONENLAGER MINI**Längen**

L1	=	39.48	
L2	=	43.28	
L3 ¹⁾	=	51.44	

Stoßboden

R	=		
R1	=	12.03	
R2	=		
R3	=		
r	=		

Pulverkammer

E	=	3.85	
P1 ¹⁾	=	11.99	
P2 [*]	=	11.56	

Schulterkonus

alpha ¹⁾ *	=	40°	
S [*]	=	55.36	
r1 max	=	0.76	
r2	=	3.68	

Hülsenhals

H1 [*]	=	8.79	
H2 ¹⁾	=	8.74	

Geschossübergang

G1 ¹⁾ *	=	7.87	
G ¹⁾	=	6.98	
alpha 1 [*]	=	71°25'59"	
h	=	0.60	
s	=	2.89	
i ¹⁾ *	=	1°45'	
w	=		

Lauf

F ¹⁾ *	=	7.62	
Z ¹⁾	=	7.82	

Züge

b	=	4.47	
N	=	4	
u	=	305.00	
Q	=	47.51	mm ²

Bemerkungen: 1) Kontrolle aus Sicherheitsgründen
3) Verschlussabstand an Schulter
* Grundmaße