

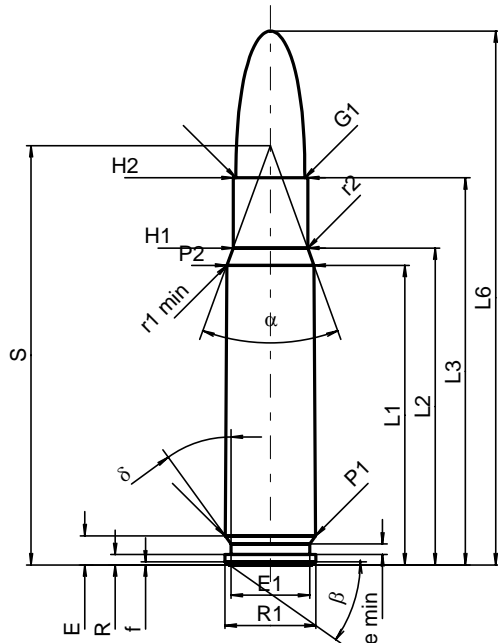
C.I.P.**358 Win.**

TAB. I

Datum 84-06-14

Revision 02-05-15

Ursprungsland: US

**PATRONE MAXI****Längen**

L1 ¹⁾	=	39.62	-0.20
L2 ¹⁾	=	41.91	-0.20
L3 ¹⁾	=	51.18	
L4	=		
L5	=		
L6	=	70.61	

Hülsenboden

R	=	1.37	
R1	=	12.01	
R3	=		
E	=	3.85	
E1	=	10.39	
e min	=	1.40	
delta	=	36°	
f	=	0.38	
beta	=	35°	

Pulverkammer

P1	=	11.96	
P2 ^{1)*}	=	11.53	-0.20

Schulterkonus

alpha*	=	40°	
S*	=	55.46	
r1 min	=	0.76	
r2	=	2.54	

Hülsenhals

H1*	=	9.86	
H2 ¹⁾	=	9.86	

Geschoss

G1 ¹⁾	=	9.11	
G2	=		
F	=		
L3+G ¹⁾	=	57.14	

Drücke (Energien)**Mech. elektr. Wandler**

Pmax	=	4050 bar	
PK	=	4658 bar	
PE	=	5060 bar	
M	=	25.00	
EE	=	4270 Joule	

Verschiedene Daten

Fe ¹⁾	=	0.10	
delta L	=	0.10	

PATRONENLAGER MINI**Längen**

L1	=	39.48	
L2	=	41.72	
L3 ¹⁾	=	51.44	

Stoßboden

R	=		
R1	=	12.03	
R2	=		
R3	=		
r	=		

Pulverkammer

E	=	3.85	
P1 ¹⁾	=	11.99	
P2*	=	11.56	

Schulterkonus

alpha ^{1)*}	=	40°	
S*	=	55.36	
r1 max	=	0.76	
r2	=	2.79	

Hülsenhals

H1*	=	9.93	
H2 ¹⁾	=	9.88	

Geschossübergang

G1 ^{1)*}	=	9.17	
G ¹⁾	=	5.96	
alpha1*	=	60°	
h	=	0.61	
s	=		
i ^{1)*}	=	1°30'	
w	=		

Lauf

F ^{1)*}	=	8.89	
Z ¹⁾	=	9.09	

Züge

b	=	2.79	
N	=	6	
u	=	305.00	
Q	=	63.77	mm ²

Maßstab 1:1

Maße in << mm >>
Maße und Toleranzen für Messläufe
siehe Anhang CR 1.

Bemerkungen: 1) Kontrolle aus Sicherheitsgründen
* Grundmaße